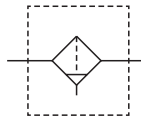


MAF401 A / D / M series

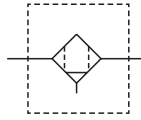
AIR UNIT (AIR / MIST / MICRO MIST FILTER)



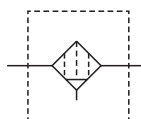
Symbol



A: 5µm



D: 0.3µm



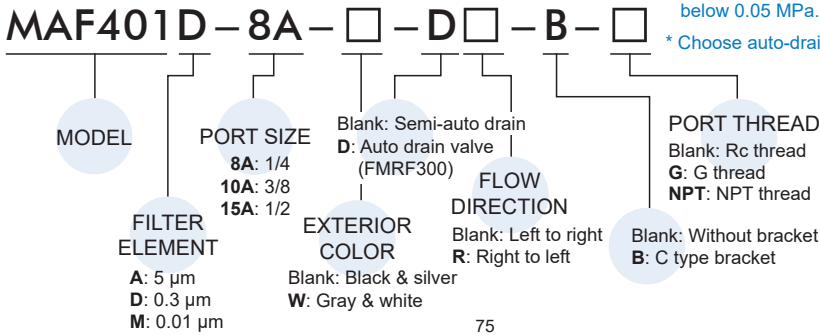
M: 0.01µm

- MAF401A is designed for draining and removal of foreign matter. (Element: 5µm)
- MAF401D/M is designed for removal of foreign matter as well as oil mist (Element: 0.3µm / 0.01µm)

Specification

Model	MAF401A/D/M		
Bore No.	8A	10A	15A
Port size	1/4	3/8	1/2
Medium	Air		
Operating pressure range (*)	0.05~1.5 MPa		
Proof pressure	2 MPa		
Ambient temperature	- 5~+60°C (No freezing)		
Filter element	5 µm, 0.3 µm, 0.01 µm		
Drain capacity	70 cm ³		
Weight	480 g		

Order example

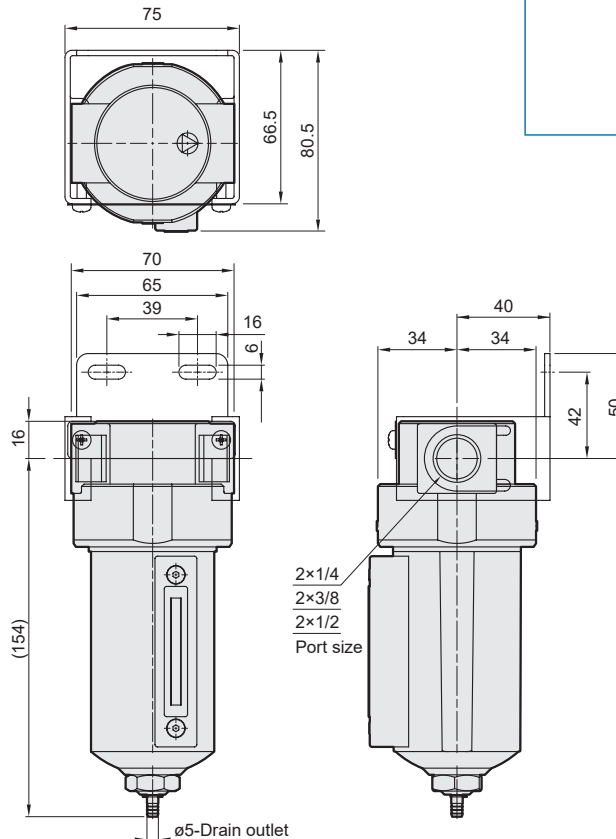
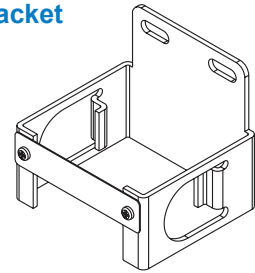


* Standard unit contains semi-auto-drain function when operating pressure below 0.05 MPa.

* Choose auto-drain FMRF300, the pressure range is 0.15~1 MPa.

Option accessories

C type bracket



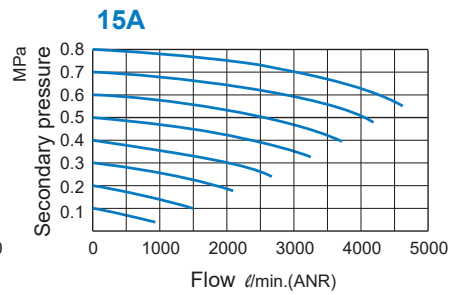
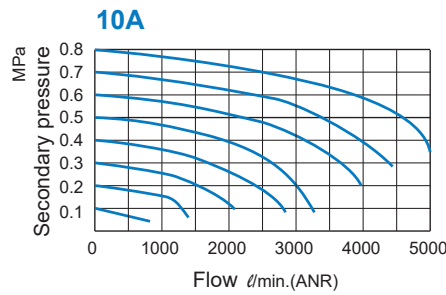
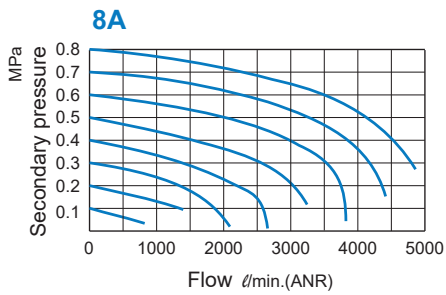
MAF401 A / D / M Capacity

AIR UNIT (AIR / MIST / MICRO MIST FILTER)

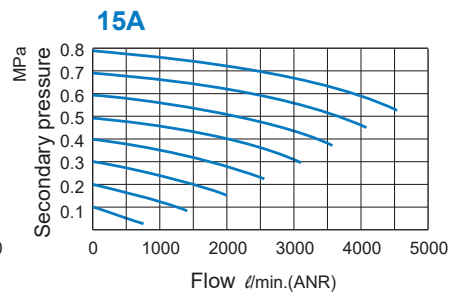
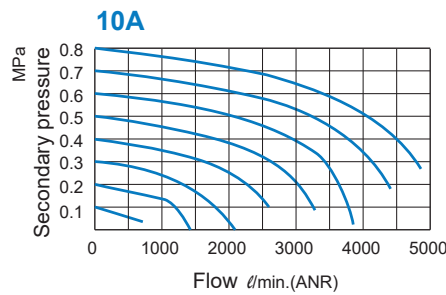
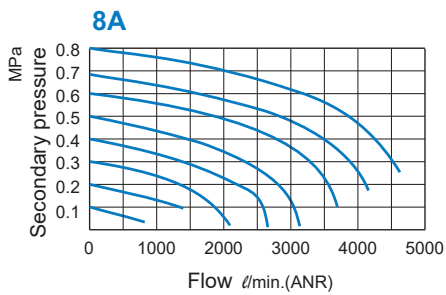


Flow feature

MAF401A (Filter element: 5 μm)



MAF401D (Filter element: 0.3 μm)



MAF401M (Filter element: 0.01 μm)

