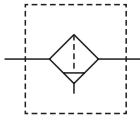


MAMB series 3 μm

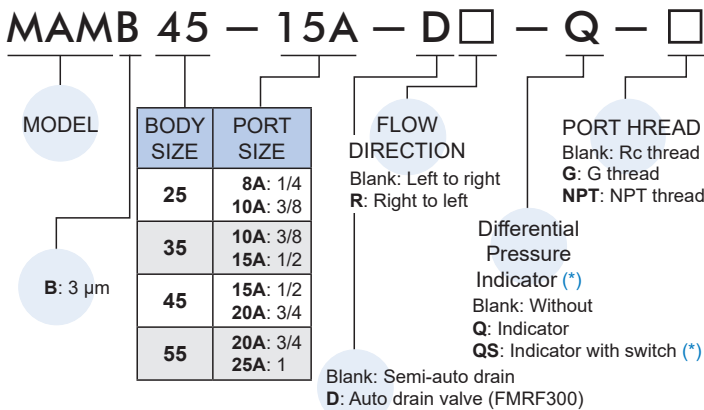
AIR UNIT (MAIN LINE FILTER)



Symbol

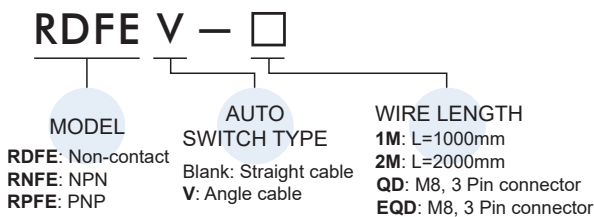


Order example



* Please add the sensor when selecting Indicator with switch (QS).
 * The models without Indicator (Q) and Indicator with switch (QS) type don't have the installation thread holes.

Order example of sensor switch



Features

Removing the impurities which the particles are bigger than 3μm in compressed air, and extending the life of precision filter in the down-stream, then preventing trouble with the equipment.

Maintenance

Replace filter element at least once per year or when pressure drop reaches 0.07 MPa.

Specification

Model	MAMB							
Body size	25		35		45		55	
Bore No.	8A	10A	10A	15A	15A	20A	20A	25A
Port size	1/4	3/8	3/8	1/2	1/2	3/4	3/4	1
Medium	Air							
Operating perssure range (*)	0.05~1 MPa							
Proof pressure	1.5 MPa							
Ambient temperature	- 5~+60°C (No freezing)							
Filter element	3 μm							
Attchment	L-type bracket							
Sensor switch	RDFE(V) (Refer to page 7-12)							
Weight	610 g		870 g		1450 g		2250 g	

* Standard unit contains semi-auto-drain function when operating pressure below 0.05 MPa.

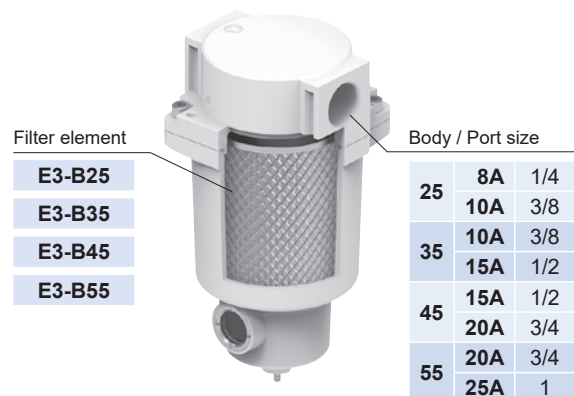
* Choose auto-drain FMRF300, the pressure range is 0.15~1 MPa.

Selector table – Filter element

Model	Port size	Filter element *1	Nominal*2 flow capacity l/min(ANR)	Symbol for order
MAMB25	1/4, 3/8	E3: 3μm (filtration efficiency 99%)	650	E3-B25
MAMB35	3/8, 1/2		1350	E3-B35
MAMB45	1/2, 3/4		2100	E3-B45
MAMB55	3/4, 1		3600	E3-B55

*1. Tested according to ISO8573.

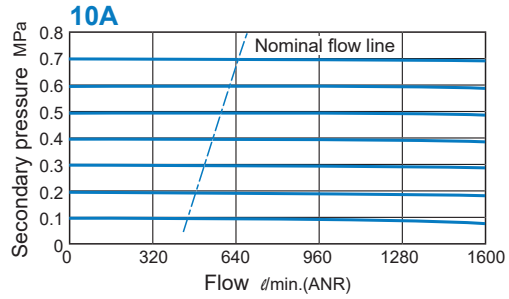
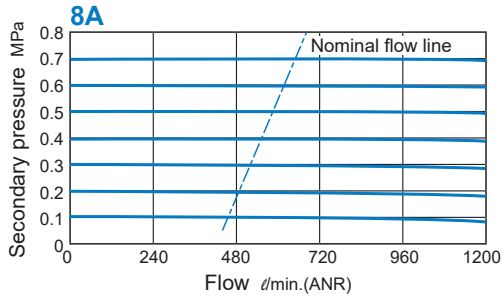
*2. Nominal flow capacity is at 0.7 MPa, and it varies depending on the operating pressure. If flow rate is over nomial flow capacity, may not meet the specifications of the product.



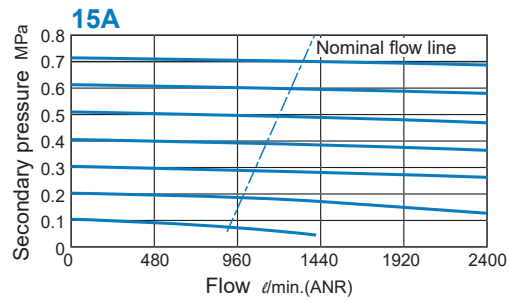
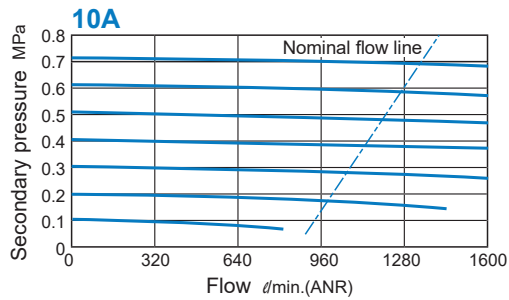
Dimensions * Please refer to page 4-152.

! If flow rate is over nominal flow capacity, may not meet the specifications of the product.

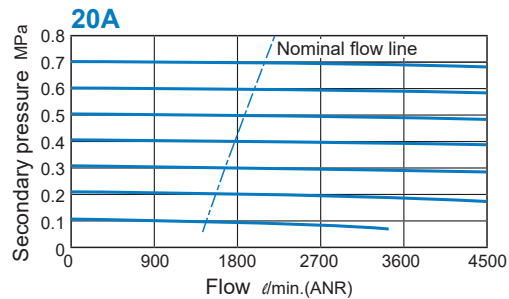
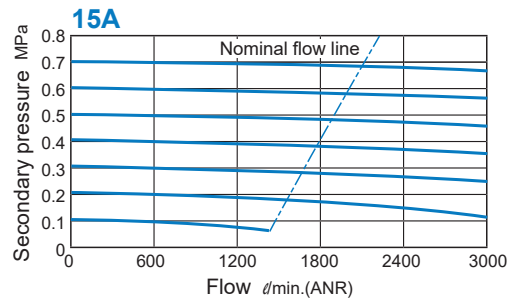
MAMB25



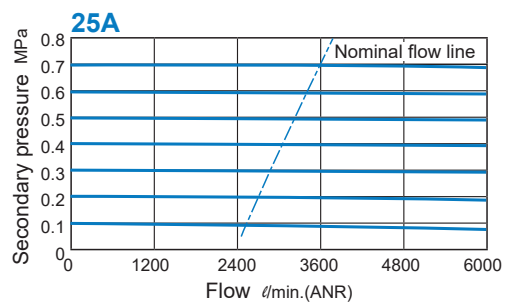
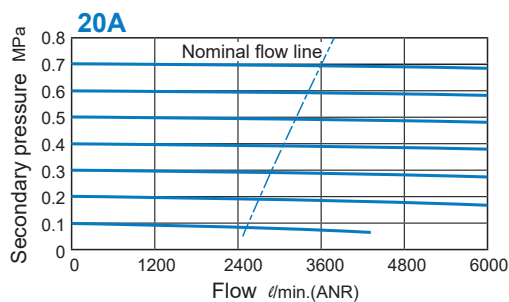
MAMB35

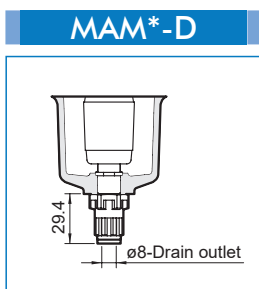
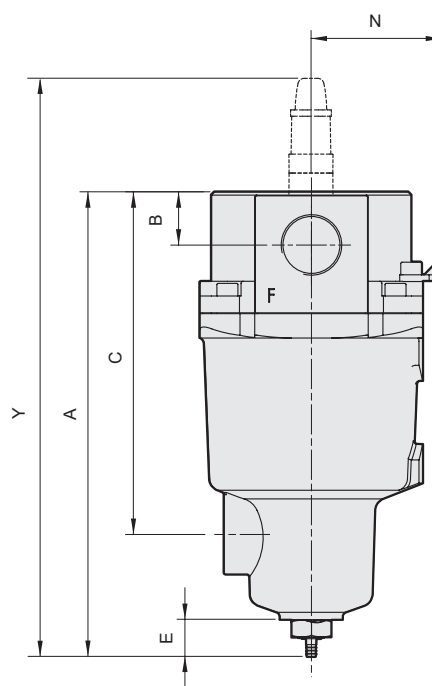
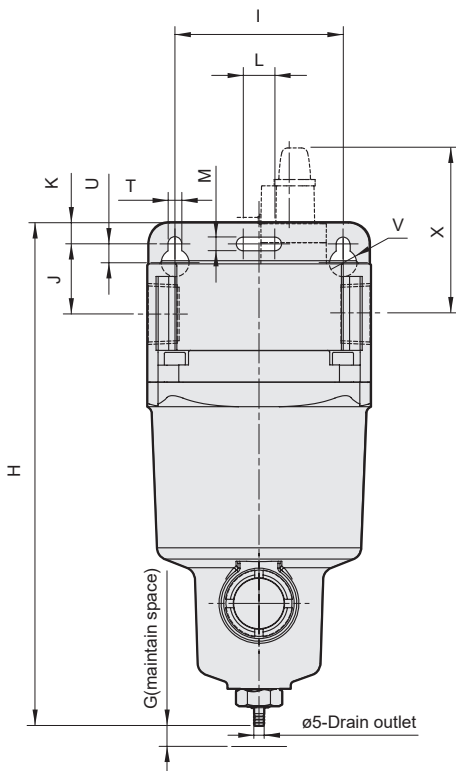
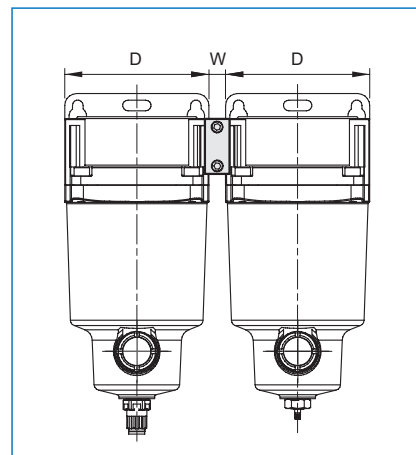
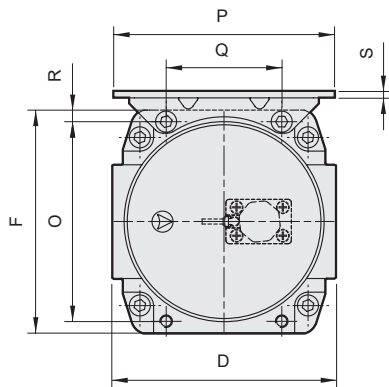


MAMB45



MAMB55



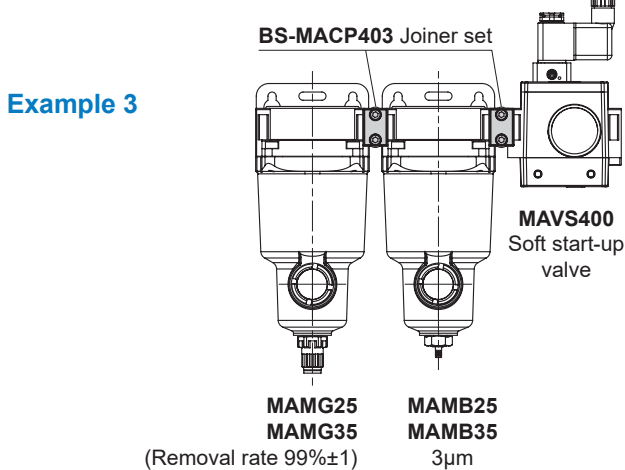
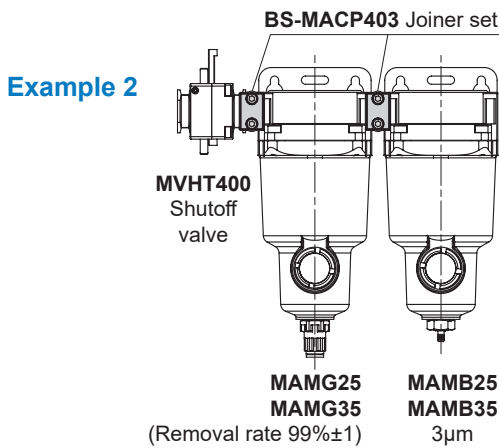
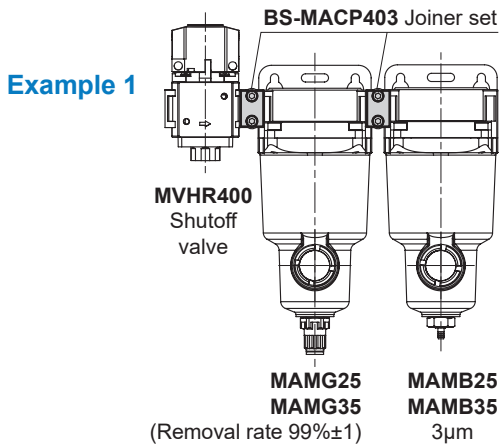


Code Model	Port size	A	B	C	D	E	F	G	H	I	J	K	T	U	L	M	V	N	O	P	Q	R	S	W	X	Y
MAM*25	1/4", 3/8"	171.6	16.5	113.5	76	17.6	76	10	187.1	66	24	8	6	6	6	6	10	47	68.5	80	35	3.8	2	10	71.5	226.6
MAM*35	3/8", 1/2"	199.1	16.5	141	90	17.6	90	10	218.6	80	28	8	7	7	7	7	12	53.4	80.5	95	44	4.8	2.3	10	71.5	254.1
MAM*45	1/2", 3/4"	221.1	25.2	163	106	17.6	106	10	236.9	90	31	10	9	9	9	9	15	62	95	111	55	5.5	3.2	14	80.2	276.1
MAM*55	3/4", 1"	256.1	25.2	198.5	122	17.6	122	10	275.6	100	34.7	10	9	9	15	9	15	72	106	122	63	8	3.2	14	80.2	311.1

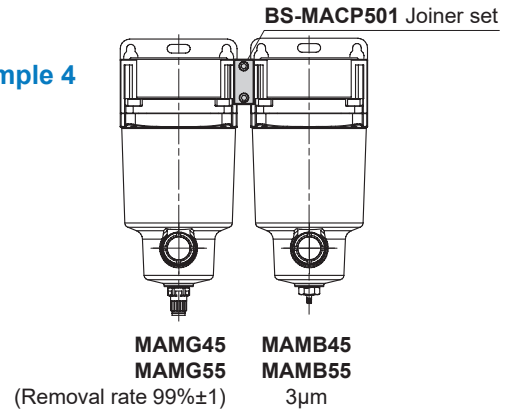
Available components (Option)

Model	Joiner set	Air unit	Shutoff valve	Soft start-up valve
MAM*25	BS-MACP403	MA*401-W	MVHR400	MAVS400
MAM*35		MA*403	MVHT400	
MAM*45	BS-MACP501	MA*501	-	-
MAM*55				

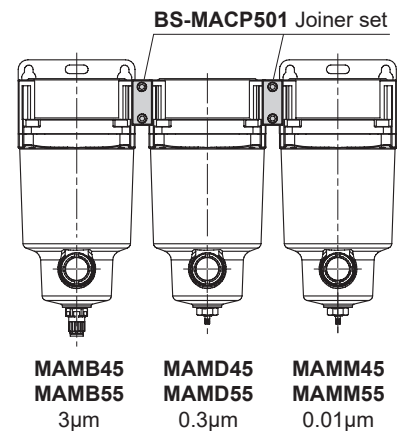
- Space-saving.
- Various combinations available.
- Easy assembly (DIY).



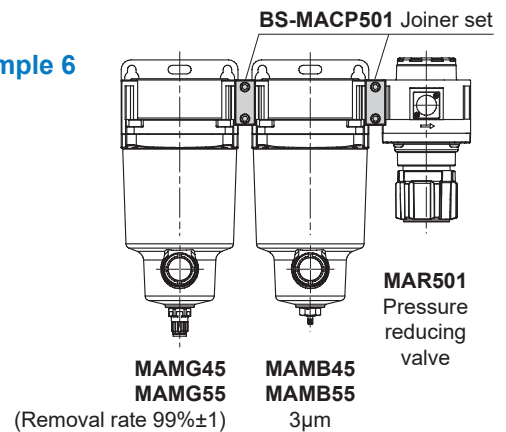
Example 4



Example 5



Example 6



Example 7

