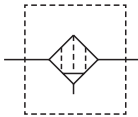


MAMF series 0.01 μm + Deodorization

AIR UNIT (ODOR REMOVAL FILTER)

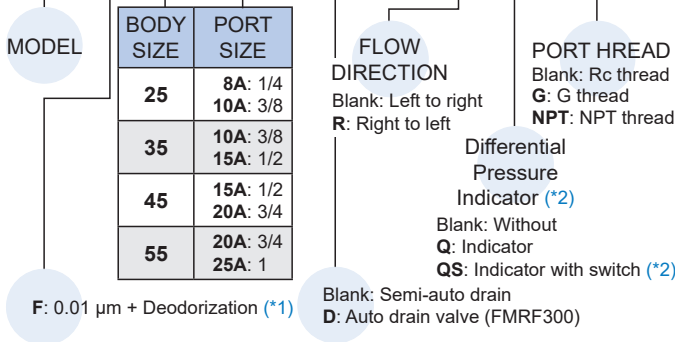


Symbol



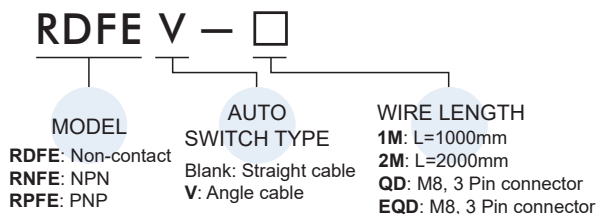
Order example

MAMF 45 – 15A – D – Q –



*1. Assembling a MAMF series as pre-filter of activated carbon.
*2. Please add the sensor when selecting Indicator with switch (QS).
The models without Indicator (Q) and Indicator with switch (QS) type don't have the installation thread holes.

Order example of sensor switch



Features

Adsorbing the odor and efficiently removing oil mist with an activated carbon element in compressed air. The filter can be applied to requirement of high purity and oil-free, such as precision painting operations or food and medical equipment.

* Assembling a MAMF series as pre-filter to extend the life of activated carbon.

Maintenance

Replace filter element at least every 6 months or when pressure drop reaches 0.07 MPa.

Specification

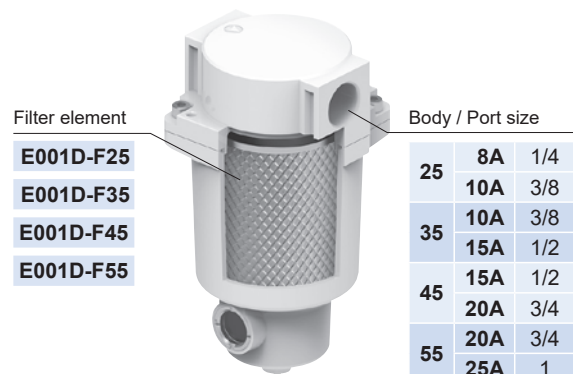
Model	MAMF							
Body size	25		35		45		55	
Bore No.	8A	10A	10A	15A	15A	20A	20A	25A
Port size	1/4	3/8	3/8	1/2	1/2	3/4	3/4	1
Medium	Air							
Operating pressure range (*)	0.05~1 MPa							
Proof pressure	1.5 MPa							
Ambient temperature	- 5~+60°C (No freezing)							
Filter element	0.01μm+Deodorization (*2)							
Attachment	L-type bracket							
Sensor switch	RDFE(V) (Refer to page 7-12)							
Weight	610 g		870 g		1450 g		2250 g	

*1. Standard unit contains semi-auto-drain function when operating pressure below 0.05 MPa.
Choose auto-drain FMRF300, the pressure range is 0.15~1 MPa.
*2. Assembling a MAMF series as pre-filter to extend the life of activated carbon.

Selector table – Filter element

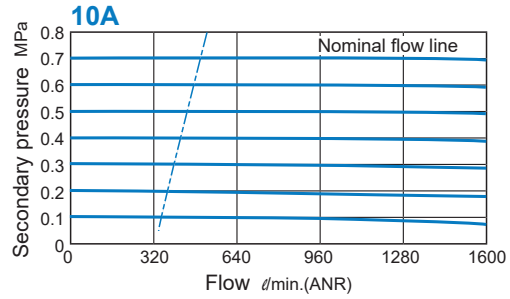
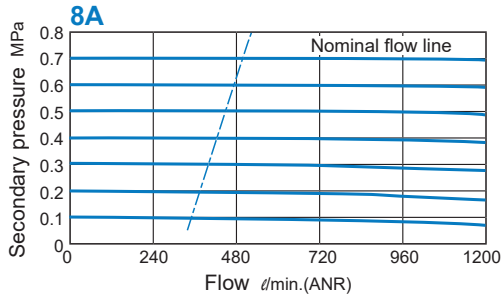
Model	Port size	Filter element *1	Residual oil content *2	Nominal*3 flow capacity /min(ANR)	Symbol for order
MAMF25	1/4, 3/8	E001D:	< 0.005 mg/m ³	500	E001D-F25
MAMF35	3/8, 1/2	0.01μm + Deodorization (filtration efficiency 99.9%)		1000	E001D-F35
MAMF45	1/2, 3/4			2000	E001D-F45
MAMF55	3/4, 1			3600	E001D-F55

*1. Tested according to ISO8573.
*2. Tested according to ISO12500-1, inlet concentration 10mg/m³
*3. Nominal flow capacity is at 0.7 MPa, and it varies depending on the operating pressure. If flow rate is over nominal flow capacity, may not meet the specifications of the product.

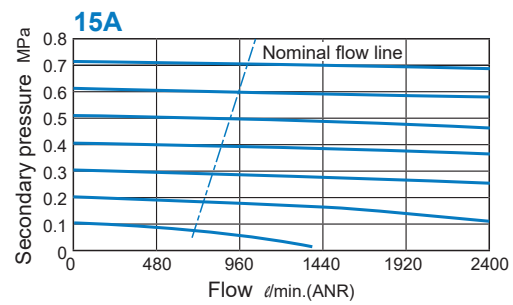
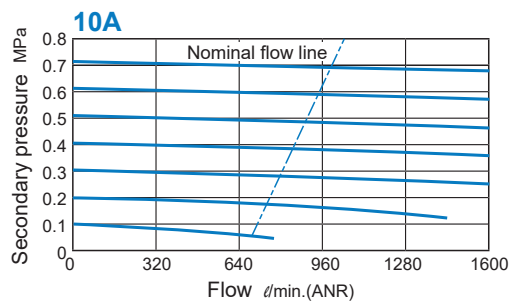


! If flow rate is over nominal flow capacity, may not meet the specifications of the product.

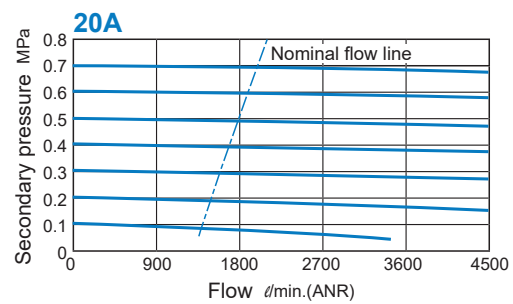
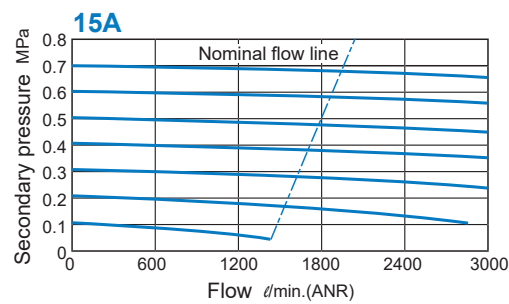
MAMF25



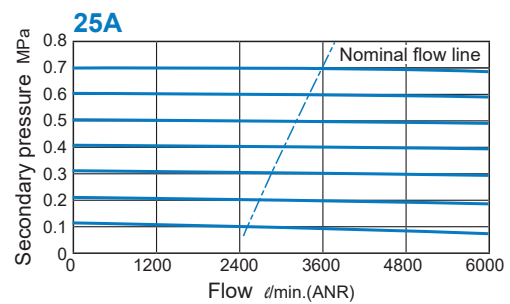
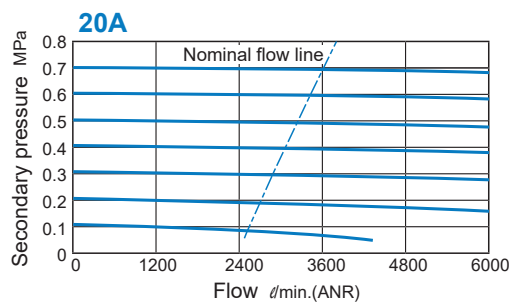
MAMF35

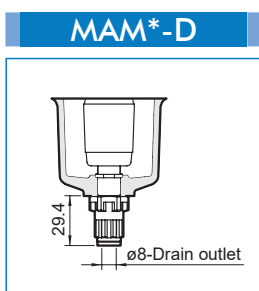
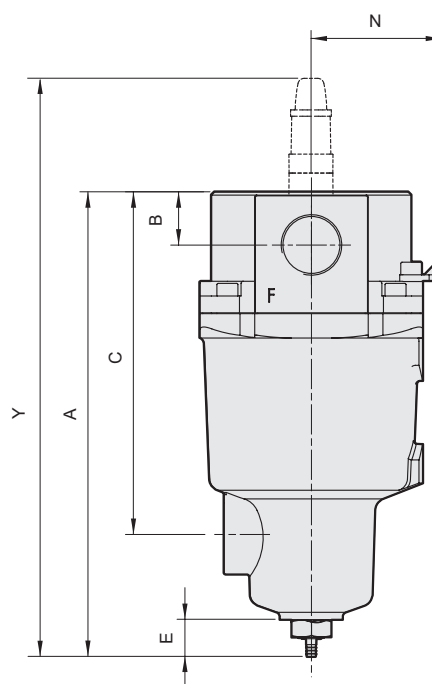
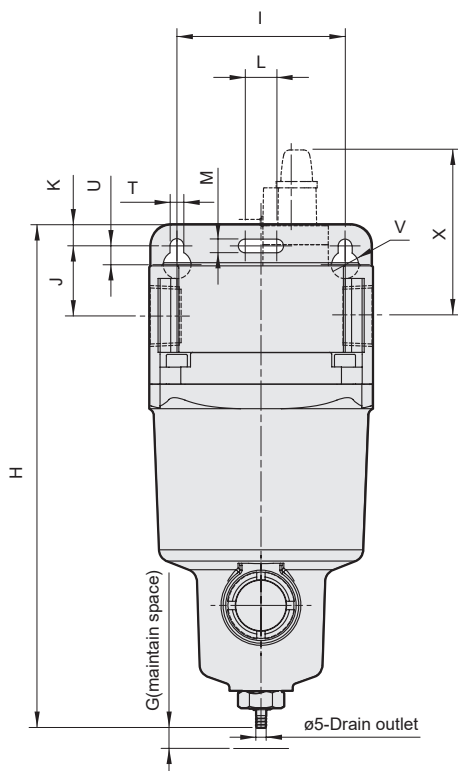
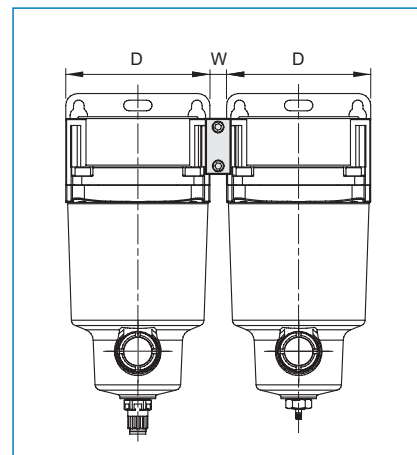
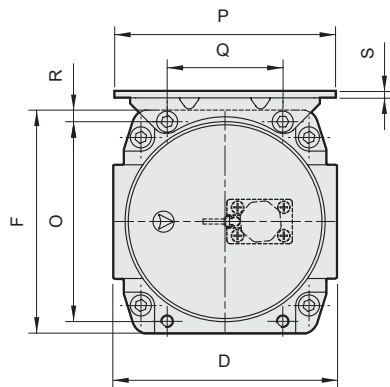


MAMF45



MAMF55



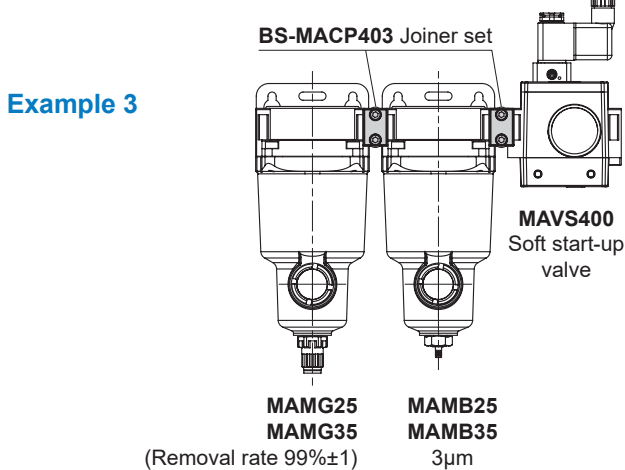
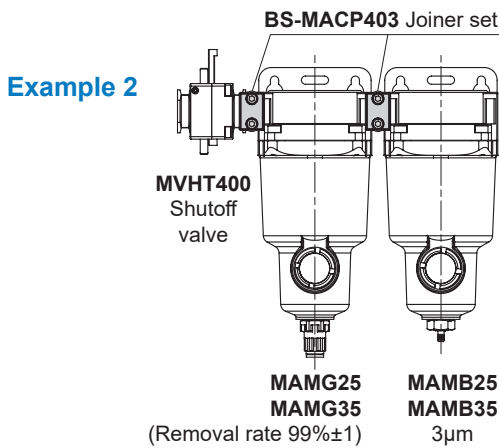
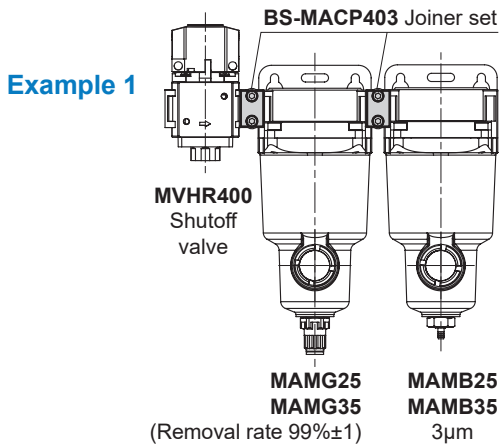


Code Model	Port size	A	B	C	D	E	F	G	H	I	J	K	T	U	L	M	V	N	O	P	Q	R	S	W	X	Y
MAM*25	1/4", 3/8"	171.6	16.5	113.5	76	17.6	76	10	187.1	66	24	8	6	6	6	6	10	47	68.5	80	35	3.8	2	10	71.5	226.6
MAM*35	3/8", 1/2"	199.1	16.5	141	90	17.6	90	10	218.6	80	28	8	7	7	7	7	12	53.4	80.5	95	44	4.8	2.3	10	71.5	254.1
MAM*45	1/2", 3/4"	221.1	25.2	163	106	17.6	106	10	236.9	90	31	10	9	9	9	9	15	62	95	111	55	5.5	3.2	14	80.2	276.1
MAM*55	3/4", 1"	256.1	25.2	198.5	122	17.6	122	10	275.6	100	34.7	10	9	9	15	9	15	72	106	122	63	8	3.2	14	80.2	311.1

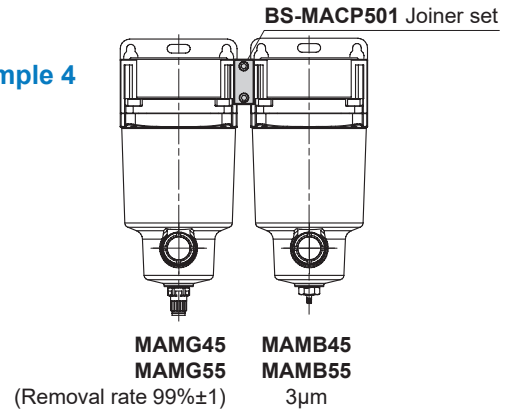
Available components (Option)

Model	Joiner set	Air unit	Shutoff valve	Soft start-up valve
MAM*25	BS-MACP403	MA*401-W	MVHR400	MAVS400
MAM*35		MA*403	MVHT400	
MAM*45	BS-MACP501	MA*501	-	-
MAM*55				

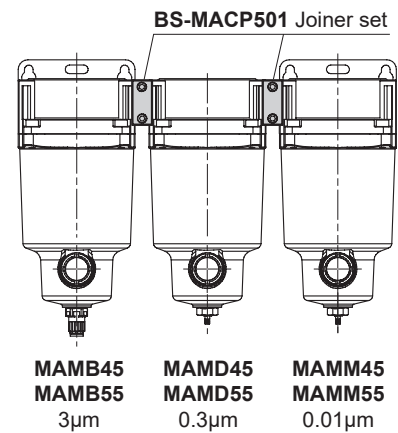
- Space-saving.
- Various combinations available.
- Easy assembly (DIY).



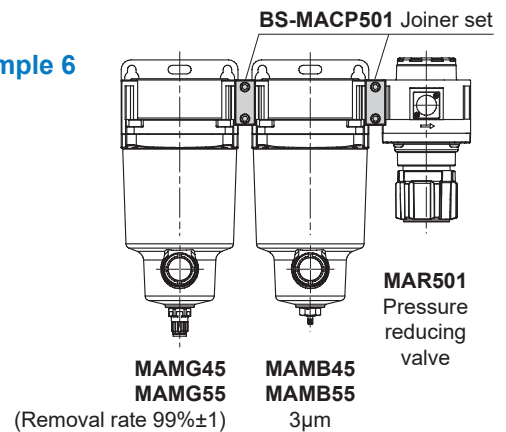
Example 4



Example 5



Example 6



Example 7

