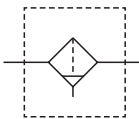
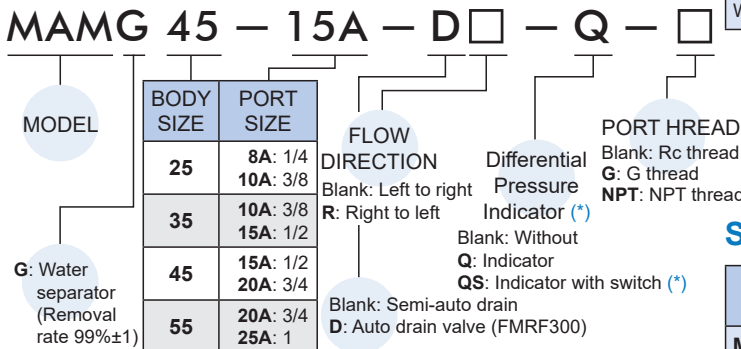




Symbol

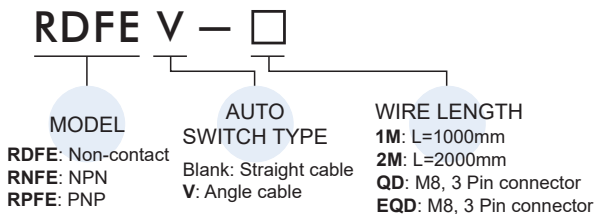


Order example



* Please add the sensor when selecting Indicator with switch (QS).
 * The models without Indicator (Q) and Indicator with switch (QS) type don't have the installation thread holes.

Order example of sensor switch



MAMG series Water removal rate

$$\text{Water removal rate (\%)} = \frac{\text{Removed water (water droplet) g}}{\text{Inflowing water (water droplet) g}} \times 100$$

* Water separator can remove water droplets, but it cannot remove moisture.

Features

Separating the water droplet with a special filtration in the compressed air. * cannot remove moisture.

Maintenance

Replace filter element at least once per year or when pressure drop reaches 0.07 MPa.

Specification

Model	MAMG							
Body size	25	35	45	55				
Bore No.	8A	10A	10A	15A	15A	20A	20A	25A
Port size	1/4	3/8	3/8	1/2	1/2	3/4	3/4	1
Medium	Air							
Operating pressure range (*)	0.05~1 MPa							
Proof pressure	1.5 MPa							
Ambient temperature	- 5~+60°C (No freezing)							
Filter element	Water separator (Removal rate 99%±1)							
Attachment	L-type bracket							
Sensor switch	RDFE(V) (Refer to page 7-12)							
Weight	610 g	870 g	1450 g	2250 g				

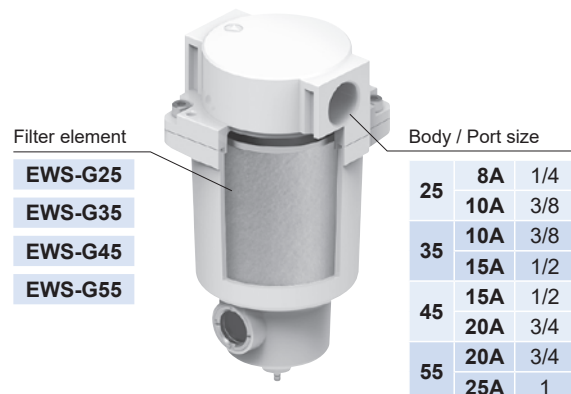
* Standard unit contains semi-auto-drain function when operating pressure below 0.05 MPa.

* Choose auto-drain FMRF300, the pressure range is 0.15~1 MPa.

Selector table – Filter element

Model	Port size	Filter element	Nominal * flow capacity l/min(ANR)	Symbol for order
MAMG25	1/4, 3/8	Water separator (removal rate 99%±1)	650	EWS-G25
MAMG35	3/8, 1/2		1350	EWS-G35
MAMG45	1/2, 3/4		2100	EWS-G45
MAMG55	3/4, 1		3600	EWS-G55

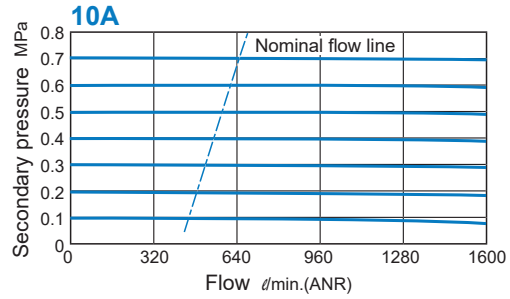
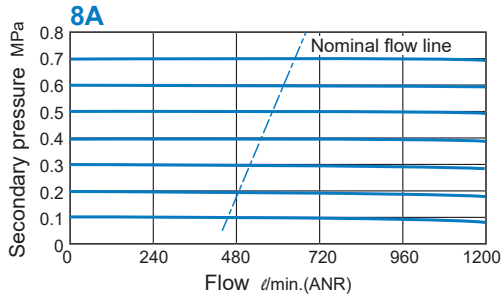
* Nominal flow capacity is at 0.7 MPa, and it varies depending on the operating pressure. If flow rate is over nominal flow capacity, may not meet the specifications of the product.



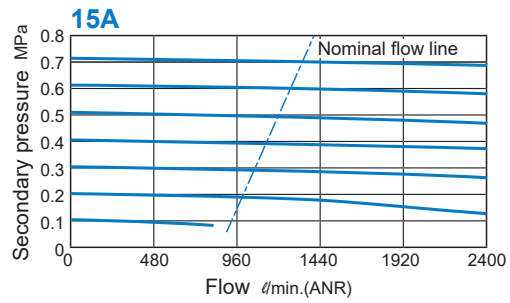
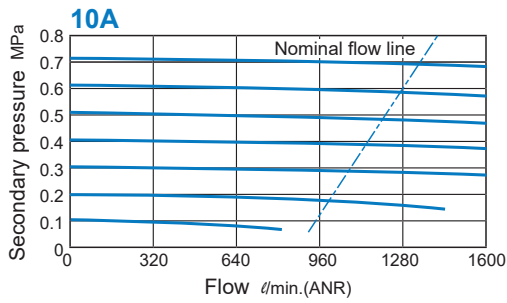
Dimensions * Please refer to page 4-152.

! If flow rate is over nominal flow capacity, may not meet the specifications of the product.

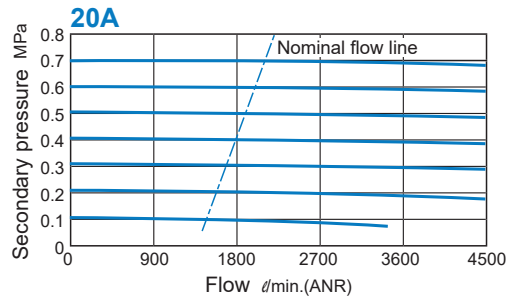
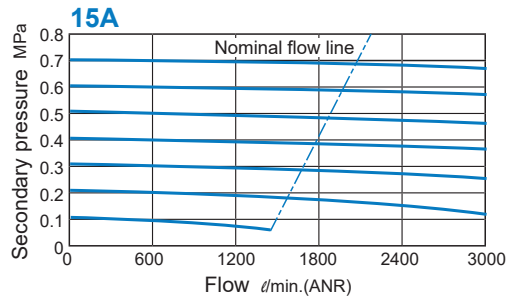
MAMG25



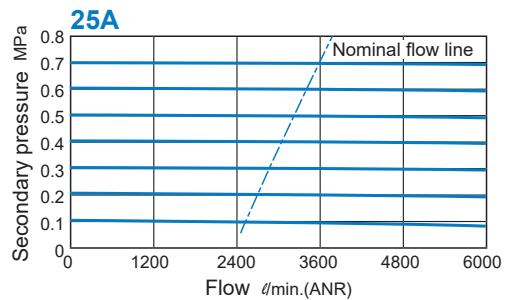
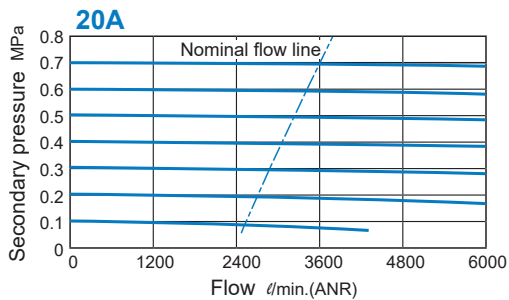
MAMG35

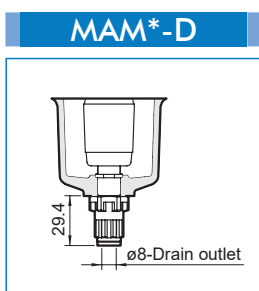
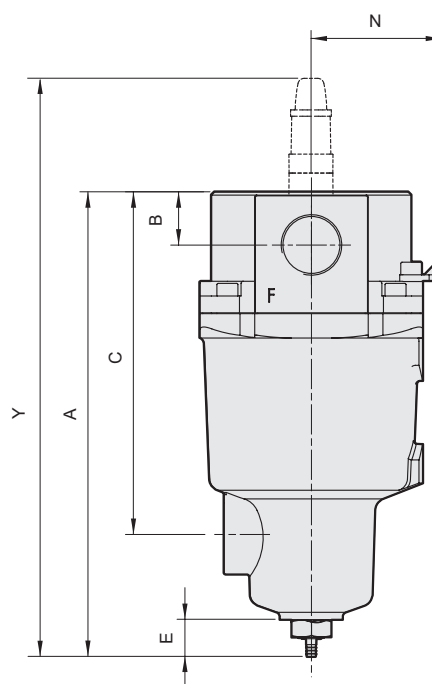
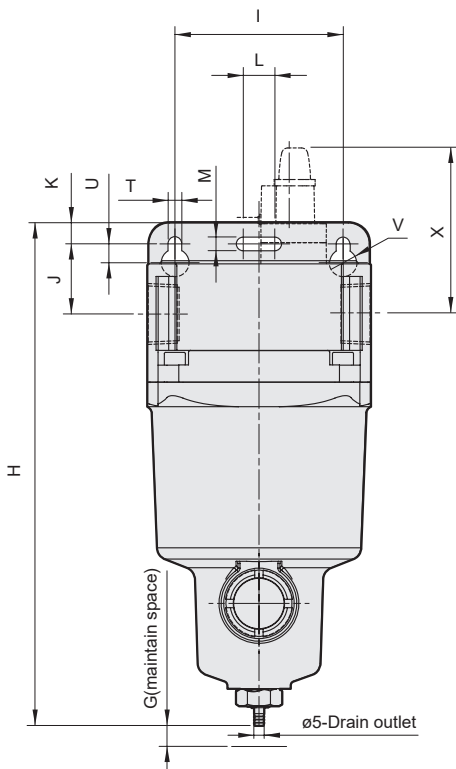
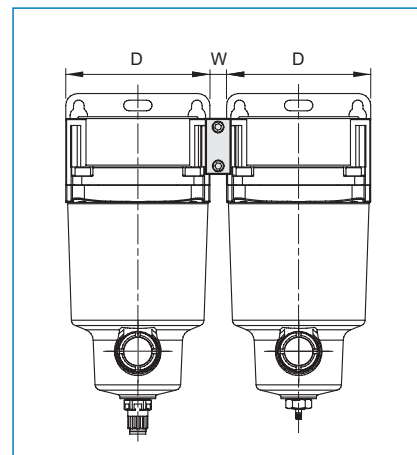
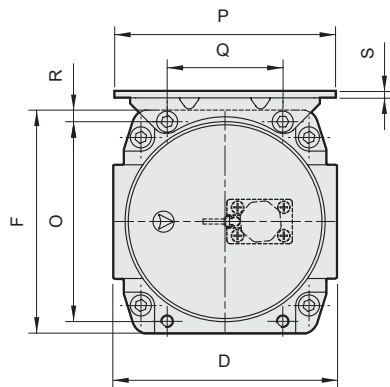


MAMG45



MAMG55



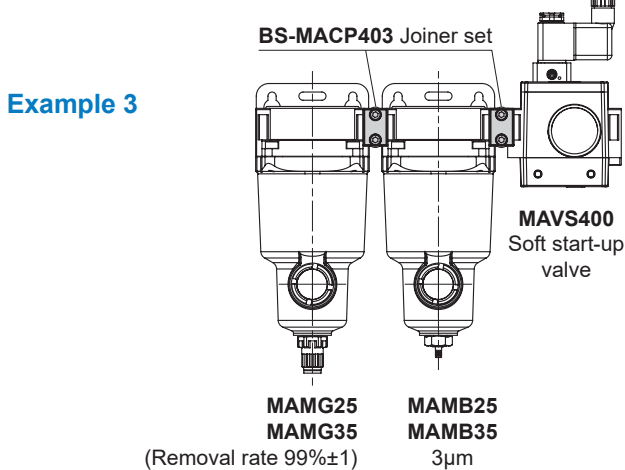
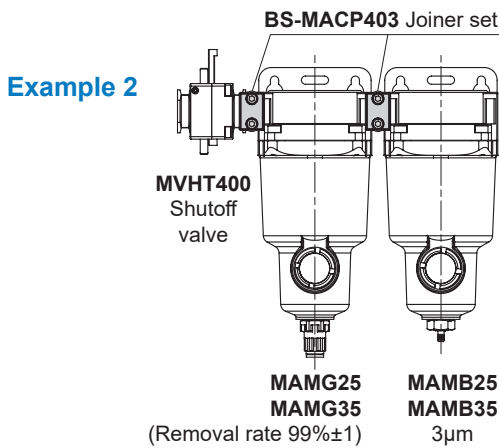
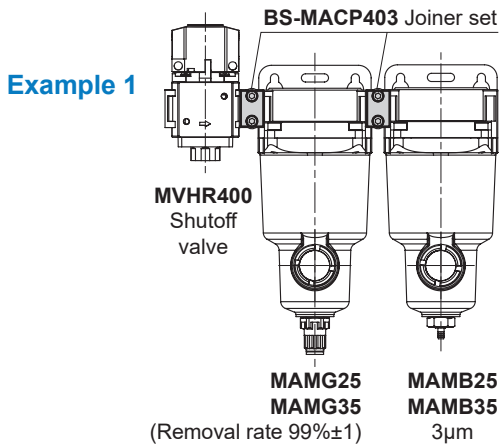


Code Model	Port size	A	B	C	D	E	F	G	H	I	J	K	T	U	L	M	V	N	O	P	Q	R	S	W	X	Y
MAM*25	1/4", 3/8"	171.6	16.5	113.5	76	17.6	76	10	187.1	66	24	8	6	6	6	6	10	47	68.5	80	35	3.8	2	10	71.5	226.6
MAM*35	3/8", 1/2"	199.1	16.5	141	90	17.6	90	10	218.6	80	28	8	7	7	7	7	12	53.4	80.5	95	44	4.8	2.3	10	71.5	254.1
MAM*45	1/2", 3/4"	221.1	25.2	163	106	17.6	106	10	236.9	90	31	10	9	9	9	9	15	62	95	111	55	5.5	3.2	14	80.2	276.1
MAM*55	3/4", 1"	256.1	25.2	198.5	122	17.6	122	10	275.6	100	34.7	10	9	9	15	9	15	72	106	122	63	8	3.2	14	80.2	311.1

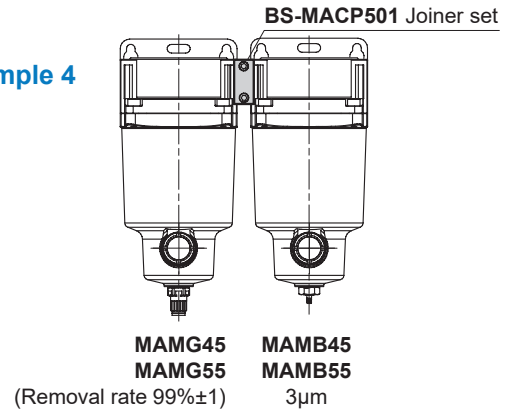
Available components (Option)

Model	Joiner set	Air unit	Shutoff valve	Soft start-up valve
MAM*25	BS-MACP403	MA*401-W	MVHR400	MAVS400
MAM*35		MA*403	MVHT400	
MAM*45	BS-MACP501	MA*501	-	-
MAM*55				

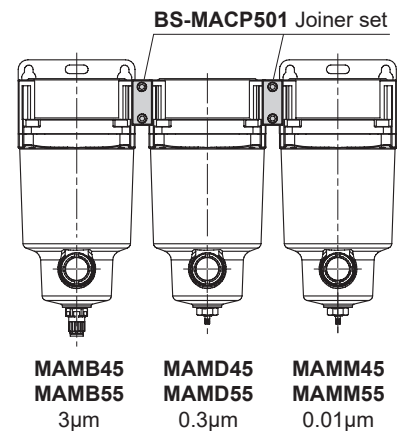
- Space-saving.
- Various combinations available.
- Easy assembly (DIY).



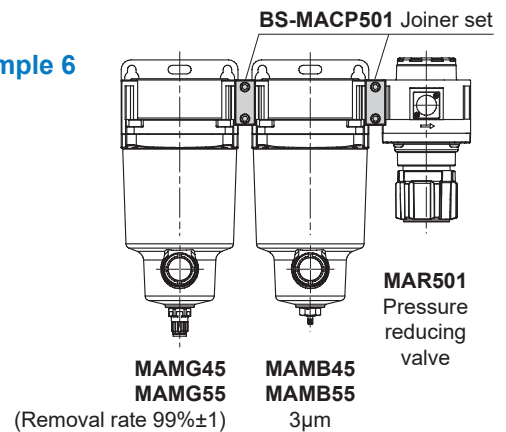
Example 4



Example 5



Example 6



Example 7

