

Features

■ Compact type

The cylinder can be directly mounted without bracket (You have bracket) the overall length is shorter and so it will fit into a more confined space. This gives the benefit of saving space when installing the cylinder.

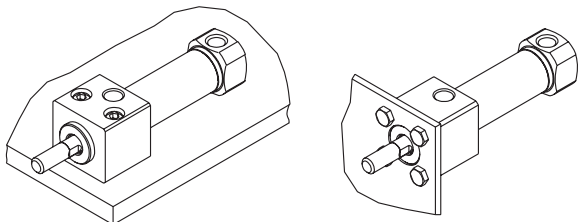
■ Improved strength and accuracy of installation.

■ Two installation methods.

Cylinder can be front mounted or mounted from underneath.

■ Magnetic as standard.

Mounting



A: Bottom mounting

B: Front mounting

Table for standard stroke

Tube I.D.	Stroke (mm)	Max. stroke (mm)
ø20,25,32,40	25,50,75,100,125, 150,200,250,300	900

* Intermediate stroke are available, please contact us.

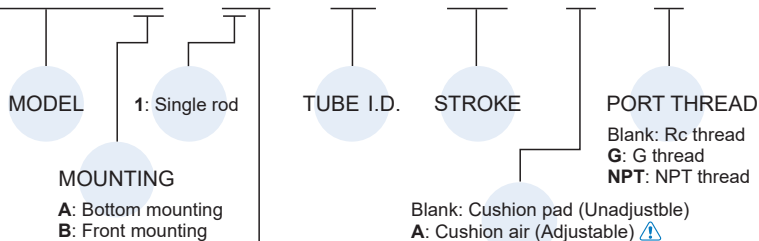
Specification

Model	MCMBRA, MCMBRB				
Tube I.D. (mm)	ø20	ø25	ø32	ø40	
Port size	Rc1/8			Rc1/4	
Medium	Air				
Max. operating pressure	1 MPa				
Min. operating pressure	0.05 MPa				
Proof pressure	1.5 MPa				
Lubrication	Not required				
Ambient temperature	-5~+60°C (No freezing)				
Available speed range	50~750 mm/sec				
Max. allowable kinetic energy (J)	Cushion pad	0.12	0.18	0.29	0.53
	Cushion air	0.14	0.20	0.32	0.59
Sensor switch	RCM (Please refer to page 8-16)				
Sensor switch (band)	BM20	BM25	BM32	BM40	

* For precautions, please refer to page 3-2.

Order example

MCMBRA - 11 - 25 - 100 - A - G



Code	Symbol	Description
1 1		Double acting / Male thread

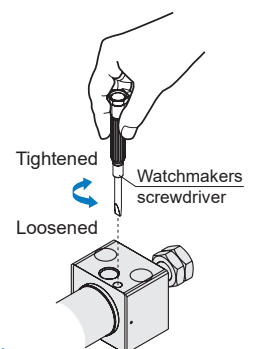
⚠ Caution

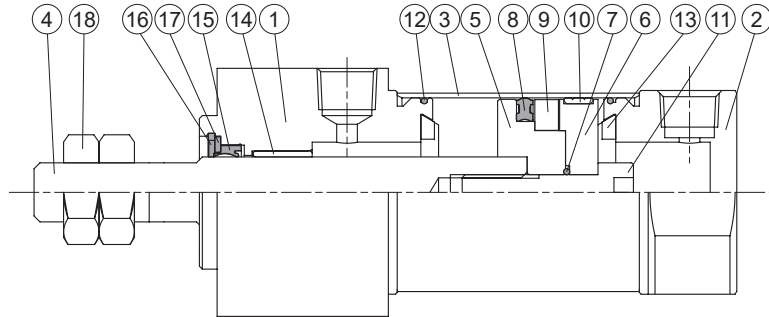
For (A) Cushion air (Adjustable)

- To adjust a cushion needle, please slowly turn the needle valve from the fully closed status to the required status which needs to be within 2.5 turns.
- If the needle valve loosen excessively, the buffer doesn't take effect and the lifetime of cylinder would be shortened.

Accessories

Code	NUT
Mounting	Rod nut
Tube I.D.	
ø20	NUT-M8x1.25x5Hx13B
ø25	NUT-M10x1.25x6Hx17B
ø32	
ø40	NUT-M14x1.5x8Hx22B





Material

No.	Tube I.D. Part name	20	25	32	40	Q'y	Component parts (inclusion)
1	Rod cover	Aluminum alloy				1	●
2	Head cover	Aluminum alloy				1	●
3	Tube	Stainless steel				1	
4	Piston rod	Carbon steel				1	
5	Piston-R	Aluminum alloy				1	●
6	Piston-H	Aluminum alloy				1	●
7	Piston gasket	NBR				1	●
8	Piston packing	NBR				1	●
9	Magnet ring	Magnet material				1	●
10	Wear ring	Resin				1	●
11	Piston bolt	SCM				1	●
12	Cover ring	-	NBR			2	●
13	Cushion gasket	NBR				2	●
14	Rod bush	Bearing alloy				1	●
15	Rod packing *1	NBR				1	●
16	Snap ring	Spring steel				1	●
17	Washer	Carbon steel				1	●
18	Rod front nut	Carbon steel				2	●

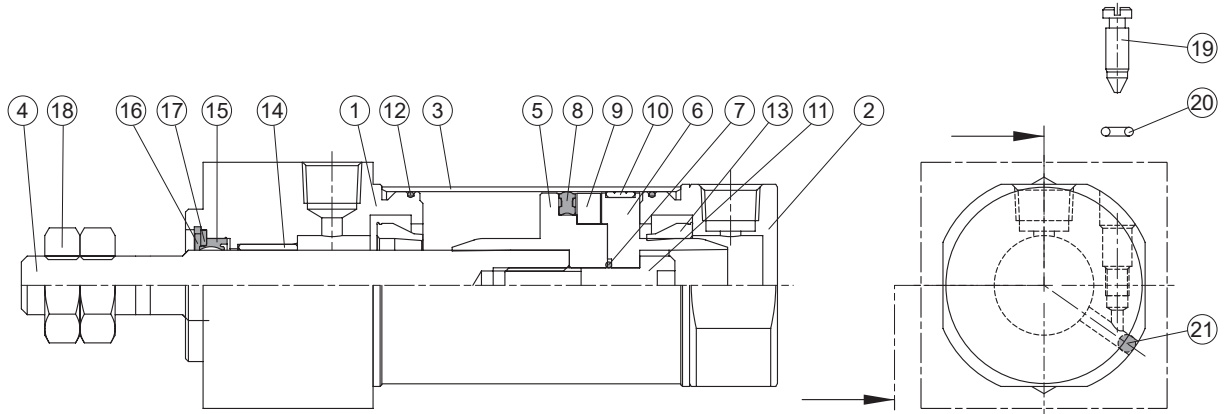
*1. Only the rod packing is repairable, please contact our sales if needed.

Order example of component parts

Tube I.D.	Component parts
ø20	CP-MCMBRA-20-□
	CP-MCMBRB-20-□
ø25	CP-MCMBRA-25-□
	CP-MCMBRB-25-□
ø32	CP-MCMBRA-32-□
	CP-MCMBRB-32-□
ø40	CP-MCMBRA-40-□
	CP-MCMBRB-40-□

* □ Port thread: Blank: Rc thread, G: G thread, NPT: NPT thread

MINIATURE CYLINDER



Material

No.	Tube I.D. Part name	20	25	32	40	Q'y	Component parts (inclusion)
1	Rod cover	Aluminum alloy				1	●
2	Head cover	Aluminum alloy				1	●
3	Tube	Stainless steel				1	
4	Piston rod	Carbon steel				1	
5	Piston-R	Aluminum alloy				1	●
6	Piston-H	Aluminum alloy				1	●
7	Piston gasket	NBR				1	●
8	Piston packing	NBR				1	●
9	Magnet ring	Magnet material				1	●
10	Wear ring	Resin				1	●
11	Piston bolt	SCM				1	●
12	Cover ring	-	NBR			2	●
13	Cushion gasket	NBR				2	●
14	Rod bush	Bearing alloy				1	●
15	Rod packing *1	NBR				1	●
16	Snap ring	Spring steel				1	●
17	Washer	Carbon steel				1	●
18	Rod front nut	Carbon steel				2	●
19	Needle valve	Stainless steel	Carbon steel			2	●
20	Needle valve packing	NBR				2	●
21	Steel ball	Stainless steel				2	●

*1. Only the rod packing is repairable, please contact our sales if needed.

Order example of component parts

Tube I.D.	Component parts
ø20	CP-MCMBRA-20A-□
	CP-MCMBRB-20A-□
ø25	CP-MCMBRA-25A-□
	CP-MCMBRB-25A-□
ø32	CP-MCMBRA-32A-□
	CP-MCMBRB-32A-□
ø40	CP-MCMBRA-40A-□
	CP-MCMBRB-40A-□

* □ Port thread: Blank: Rc thread, G: G thread, NPT: NPT thread

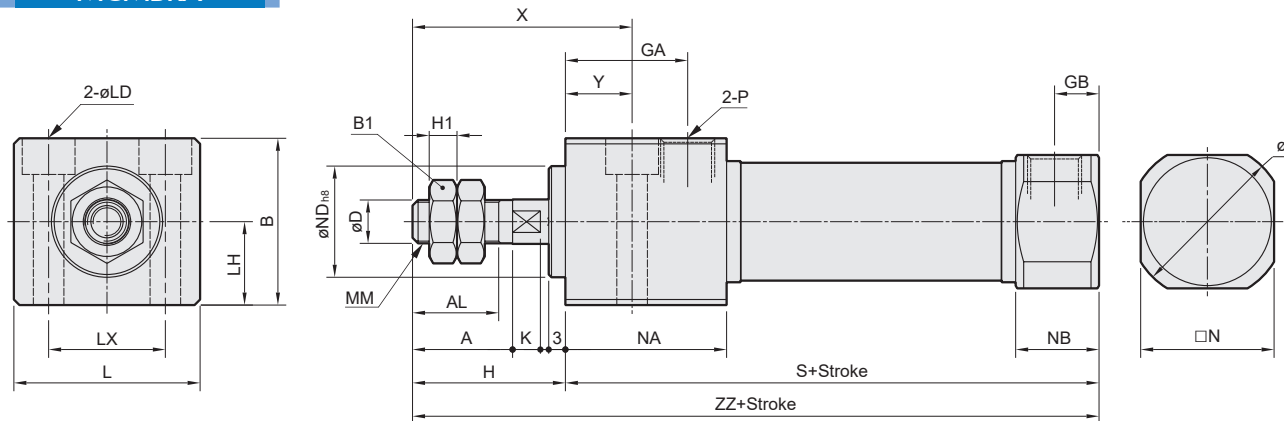
MCMBR* Dimensions – Double acting $\phi 20 \sim \phi 40$



MINIATURE CYLINDER

Mindman

MCMBRA

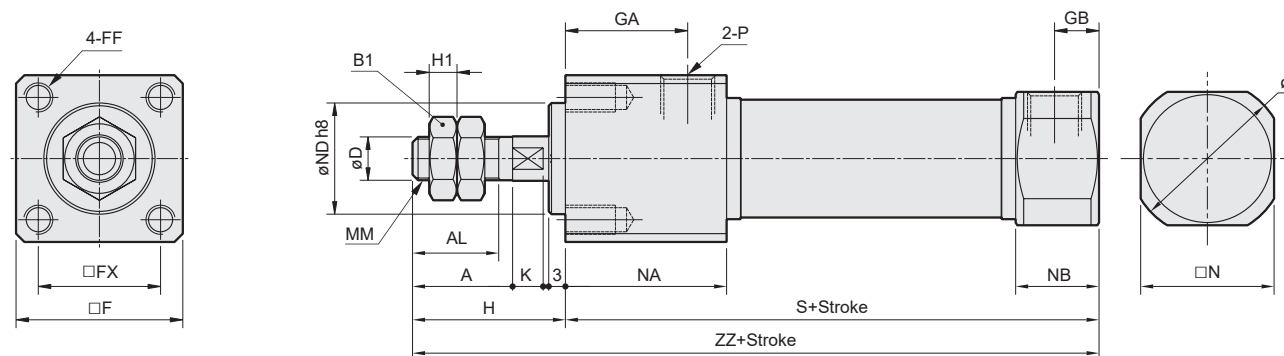


Unit: mm

Code Tube I.D.	A	AL	B	B1	D	GA	GB	H	H1	I	K	L	LD	LH	LX	MM	N	NA	NB	ND
20	18	15.5	30	13	8	22	8	27	5	28	5	33.5	$\phi 5.5$ thru, $\phi 9.5 \times 6.5$ depth	15	21	M8 $\times 1.25$	24	29	15	20 ⁰ _{-0.033}
25	22	19.5	36	17	10	22	8	31	6	33.5	5	39	$\phi 6.6$ thru, $\phi 11 \times 7.5$ depth	18	25	M10 $\times 1.25$	30	29	15	26 ⁰ _{-0.033}
32	22	19.5	42	17	12	22	8	31	6	37.5	5.5	47	$\phi 9$ thru, $\phi 14 \times 10$ depth	21	30	M10 $\times 1.25$	34.5	29	15	26 ⁰ _{-0.033}
40	24	21	52	22	14	27	11	34	8	46.5	7	58.5	$\phi 11$ thru, $\phi 17.5 \times 12.5$ depth	26	38	M14 $\times 1.5$	42.5	37.5	21.5	32 ⁰ _{-0.039}

Code Tube I.D.	P	S	X	Y	ZZ
20	Rc1/8	76	39	12	103
25	Rc1/8	76	43	12	107
32	Rc1/8	78	43	12	109
40	Rc1/4	104	49	15	138

MCMBRB



Unit: mm

Code Tube I.D.	A	AL	B1	D	F	FF	FX	GA	GB	H	H1	I	K	MM	N	NA	NB	ND	P	S	ZZ
20	18	15.5	13	8	30	M5 $\times 0.8 \times 9$ depth	22	22	8	27	5	28	5	M8 $\times 1.25$	24	29	15	20 ⁰ _{-0.033}	Rc1/8	76	103
25	22	19.5	17	10	36	M6 $\times 1.0 \times 11$ depth	26	22	8	31	6	33.5	5	M10 $\times 1.25$	30	29	15	26 ⁰ _{-0.033}	Rc1/8	76	107
32	22	19.5	17	12	42	M6 $\times 1.0 \times 11$ depth	30	22	8	31	6	37.5	5.5	M10 $\times 1.25$	34.5	29	15	26 ⁰ _{-0.033}	Rc1/8	78	109
40	24	21	22	14	52	M8 $\times 1.25 \times 14$ depth	36	27	11	34	8	46.5	7	M14 $\times 1.5$	42.5	37.5	21.5	32 ⁰ _{-0.039}	Rc1/4	104	138

MCMBR* Installation of sensor switch $\phi 20 \sim \phi 40$

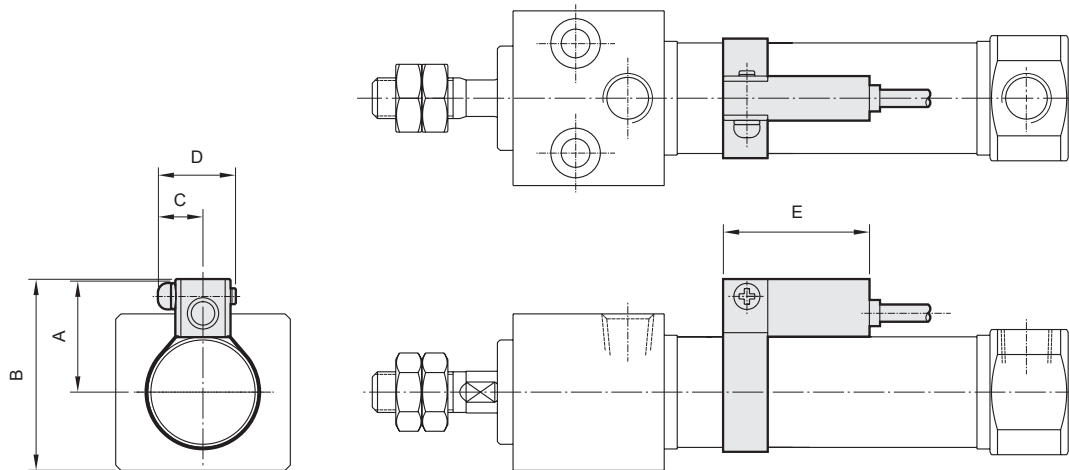


MINIATURE CYLINDER

Mindman

Sensor switch: RCM

Sensor switch band: BM**



Code Tube I.D.	A	B	C	D	E
20	22	37	10	16	28
25	25	43	10	16	28
32	28	50	10	16	28
40	32	59	10	16	28