



### Specification

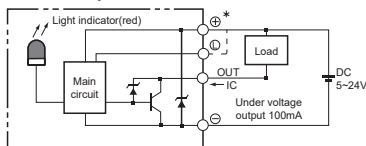
Model		METG-4		
Positioning repeatability (mm)		±0.005		
Ball screw lead (mm)		2	6	12
Max. speed (*1) (mm/s)		100	300	600
AC servo motor (W)		50, 100		
Max. payload (*2)	Horizontal (kg)	25	20	12
	Vertical (kg)	8 (8)	5 (8)	2 (3.5)
Rated thrust (N)		424	414	71
Stroke (*3) (mm)		50~800 / 50 pitch		
Ball screw (mm)		C7ø8		
Coupling (mm)		7×8		
Slot-type photomicro sensor		EE-SX674 (NPN)		

\*1. Acceleration and deceleration values are set to 0.2 second.

\*2. ( ) Value for 100W motor.

\*3. Reduce the speed when the stroke exceeds 550 mm due to resonance.

Sensor layout



### Order example

**METG – 4 – L02 – 100 – BC – M05 – C4**

Model      Size      Stroke      Flange (For motor installation)      Home sensor      Limit sensor

50~800 mm  
50 mm pitch

Ball screw lead	Motor position	Flange (For motor installation)	Home sensor	Limit sensor
L02    2 mm	BC    Direct connection	Applicable motor brand (*1)    Power output M    Mitsubishi    05    50W Yaskawa    10    100W servo Delta P    Panasonic	Out side	Out side
L06    6 mm	BM    Lower side		C    Motor side	3    1 Pc
L12    12 mm	BR    Right side		D    Opposite motor side	4    2 Pcs
	BL    Left side		No sensor	No sensor
			E    None	5    None

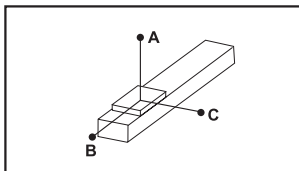
(\*2)

\*1. Motor not included. Please refer to the "Motor Selection Table" on page 4-122 for details.

\*2. When the stroke is 50mm, the sensor installation has the following restrictions.

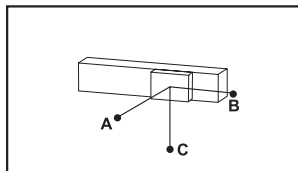
1. Home sensor and limit sensor has to be installed on the different side of body.
2. Install sensor trigger on both side.

### Allowable overhang



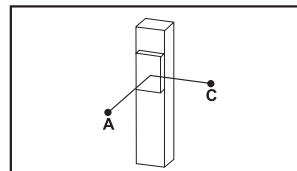
Unit: mm

Horizontal installation		A	B	C
Lead 2	12kg	1000	55	80
	18kg	750	35	50
	25kg	500	23	32
Lead 6	10kg	550	53	70
	15kg	350	32	45
	20kg	250	22	31
Lead 12	8kg	305	59	75
	10kg	240	45	57
	12kg	195	37	47



Unit: mm

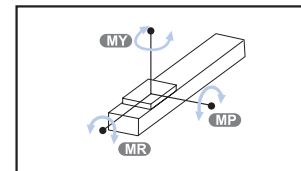
Wall installation		A	B	C
Lead 2	12kg	80	55	1000
	18kg	50	35	750
	25kg	32	23	500
Lead 6	10kg	72	52	550
	15kg	45	32	345
	20kg	31	22	250
Lead 12	8kg	75	59	300
	10kg	45	32	240
	12kg	31	22	250



Unit: mm

Vertical installation		A	C
Lead 2	4kg	200 (195)	200 (195)
	8kg	100	100
Lead 6	3kg	200 (150)	200 (150)
	5kg	120 (75)	120 (75)
Lead 12	1.5kg	350 (260)	350 (260)
	2kg	260 (150)	260 (150)

### Static loading moment



Unit: N.m

MY	79
MP	79
MR	116

- The torque value in the chart indicate the center of gravity.
- Operation life is 10000km when the product is using under the specified conditions.
- Data information is not for ceiling-mount inverse use.  
Contact us for the details if you want to apply ceiling-mount inverse usage.
- ( ) The value for power output 100W.

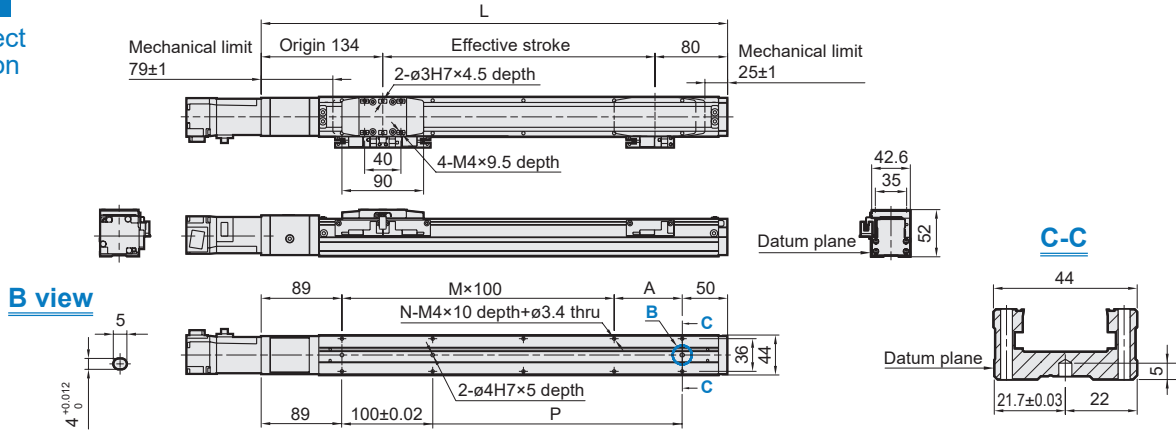
# METG-4 Dimensions

## SLIDER ELECTRIC CYLINDER – BUILT-IN GUIDEWAY (WITHOUT MOTOR)



### BC

Motor direct connection

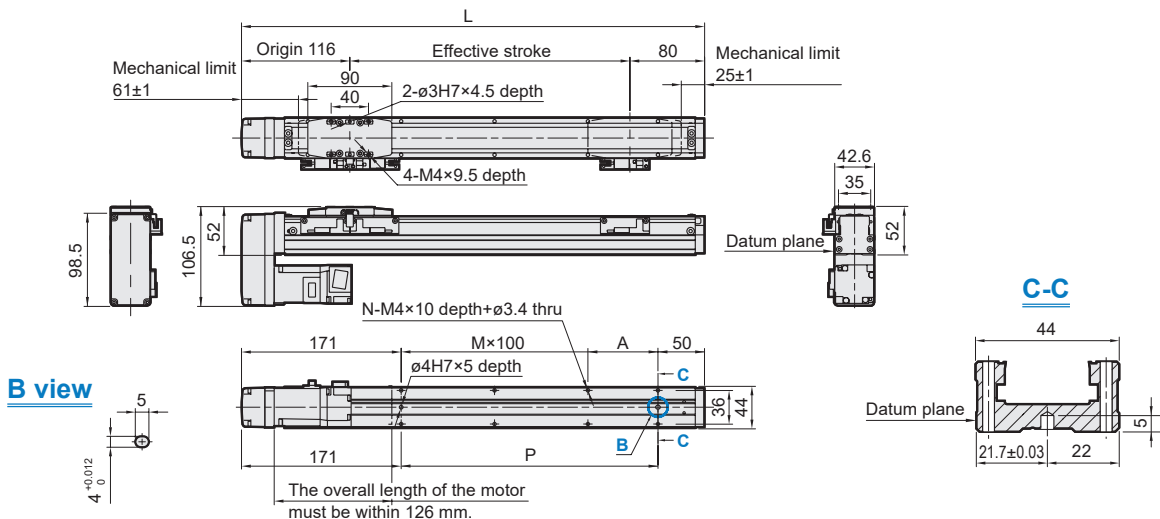


Unit: mm

Stroke	50	100	150	200	250	300	350	400	450	500	550	600	650	700	750	800
L	264	314	364	414	464	514	564	614	664	714	764	814	864	914	964	1014
A	25	75	25	75	25	75	25	75	25	75	25	75	25	75	25	75
M	1	1	2	2	3	3	4	4	5	5	6	6	7	7	8	8
N	6	6	8	8	10	10	12	12	14	14	16	16	18	18	20	20
P	25	75	125	175	225	275	325	375	425	475	525	575	625	675	725	775
KG	1.36	1.61	1.86	2.11	2.35	2.6	2.85	3.1	3.34	3.59	3.84	4.09	4.34	4.59	4.84	5.09

### BM

Motor on lower side



Unit: mm

Stroke	50	100	150	200	250	300	350	400	450	500	550	600	650	700	750	800
L	246	296	346	396	446	496	546	596	646	696	746	796	846	896	946	996
A	25	75	25	75	25	75	25	75	25	75	25	75	25	75	25	75
M	0	0	1	1	2	2	3	3	4	4	5	5	6	6	7	7
N	4	4	6	6	8	8	10	10	12	12	15	14	16	16	18	18
P	25	75	125	175	225	275	325	375	425	475	525	575	625	675	725	775
KG	1.66	1.91	2.16	2.4	2.65	2.9	3.14	3.39	3.64	3.89	4.14	4.39	4.64	4.89	5.14	5.39

\* When motor with brake assembled on down side, or the total length over than spec limit, it may not use standard pinhole. Please contact us if you need more information and requirement.

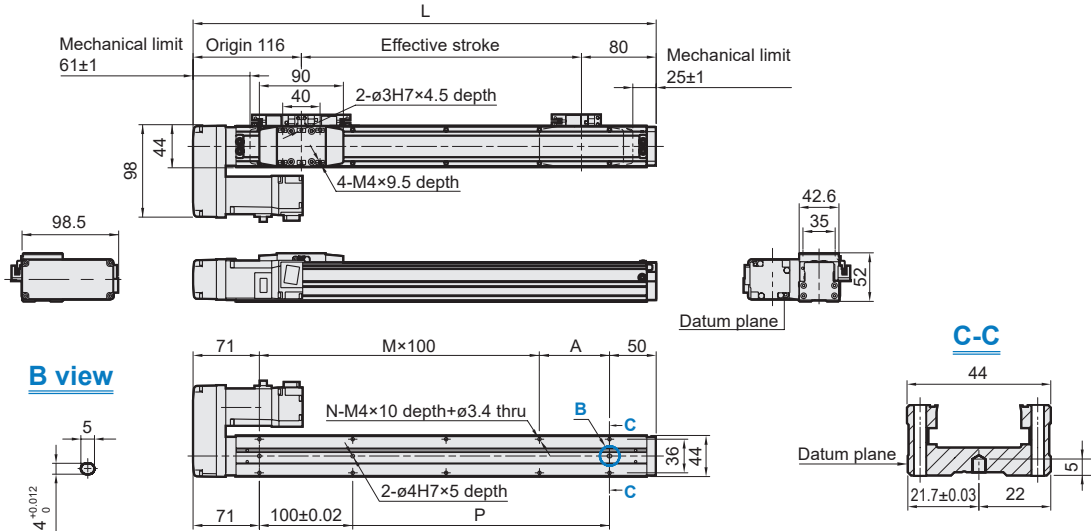
# METG-4 Dimensions

## SLIDER ELECTRIC CYLINDER – BUILT-IN GUIDEWAY (WITHOUT MOTOR)



### BL

Motor on left side

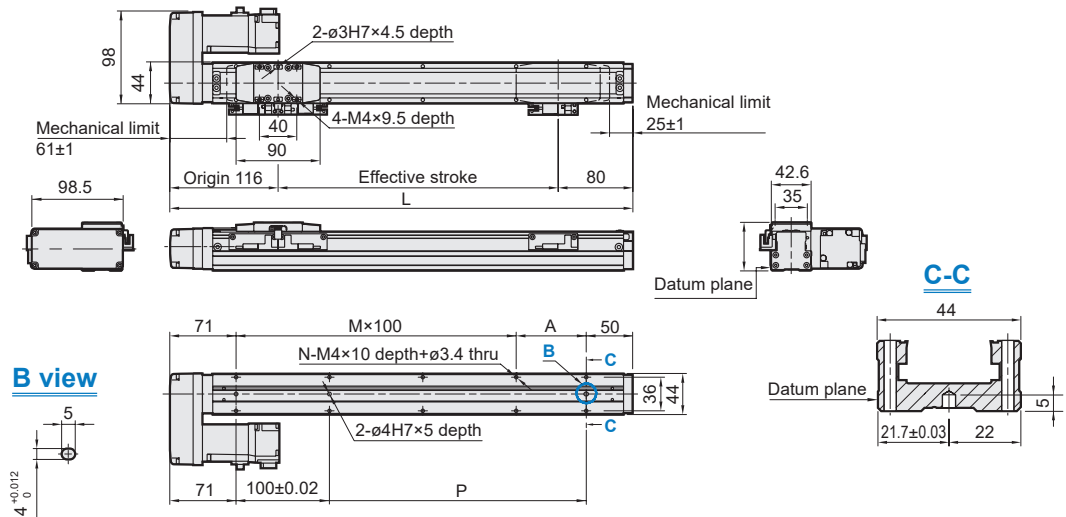


Unit: mm

Stroke	50	100	150	200	250	300	350	400	450	500	550	600	650	700	750	800
<b>L</b>	246	296	346	396	446	496	546	596	646	696	746	796	846	896	946	996
<b>A</b>	25	75	25	75	25	75	25	75	25	75	25	75	25	75	25	75
<b>M</b>	1	1	2	2	3	3	4	4	5	5	6	6	7	7	8	8
<b>N</b>	6	6	8	8	10	10	12	12	14	14	16	16	18	18	20	20
<b>P</b>	25	75	125	175	225	275	325	375	425	475	525	575	625	675	725	775
<b>KG</b>	1.66	1.91	2.16	2.4	2.65	2.9	3.14	3.39	3.64	3.89	4.14	4.39	4.64	4.89	5.14	5.39

### BR

Motor on right side



Unit: mm

Stroke	50	100	150	200	250	300	350	400	450	500	550	600	650	700	750	800
<b>L</b>	246	296	346	396	446	496	546	596	646	696	746	796	846	896	946	996
<b>A</b>	25	75	25	75	25	75	25	75	25	75	25	75	25	75	25	75
<b>M</b>	1	1	2	2	3	3	4	4	5	5	6	6	7	7	8	8
<b>N</b>	6	6	8	8	10	10	12	12	14	14	16	16	18	18	20	20
<b>P</b>	25	75	125	175	225	275	325	375	425	475	525	575	625	675	725	775
<b>KG</b>	1.66	1.91	2.16	2.4	2.65	2.9	3.14	3.39	3.64	3.89	4.14	4.39	4.64	4.89	5.14	5.39