

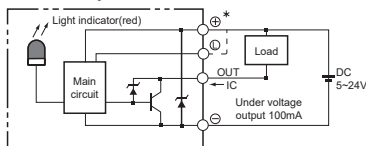
Specification

Model		METG-5			
Positioning repeatability (mm)		±0.005			
Ball screw lead (mm)		2	5	10	20
Max. speed (*1) (mm/s)		100	250	500	1000
AC servo motor (W)		100W			
Max. payload	Horizontal (kg)	30	30	15	10
	Vertical (kg)	10	10	5	2.5
Rated thrust (N)		854	341	170	85
Stroke (*2) (mm)		50~800 / 50 pitch			
Ball screw (mm)		C7Ø12			
Coupling (mm)		7×8			
Slot-type photomicro sensor		EE-SX674 (NPN)			

*1. Acceleration and deceleration values are set to 0.2 second.

*2. Reduce the speed when the stroke exceeds 600 mm due to resonance.

Sensor layout



Order example

METG – 5 – L02 – 100 – BC – M10 – C4

Model Size Stroke Home sensor Limit sensor

50~800 mm
50 mm pitch

Ball screw lead		Motor position		Flange (For motor installation)		Home sensor		Limit sensor				
L02	2 mm	BC	Direct connection	Applicable motor brand (*1)	Power output	Out side		Out side				
L05	5 mm	BM	Lower side			M	10	100W servo	C	Motor side	3	1 Pc
L10	10 mm	BR	Right side						D	Opposite motor side	4	2 Pcs
L20	20 mm	BL	Left side			P	Panasonic	No sensor		No sensor		
						E	None	5	None			

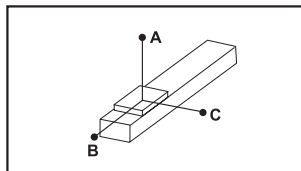
(*2)

*1. Motor not included. Please refer to the "Motor Selection Table" on page 4-122 for details.

*2. When the stroke is 50mm, the sensor installation has the following restrictions.

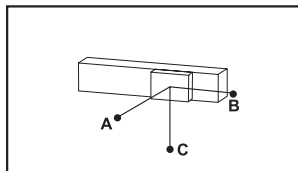
1. Home sensor and limit sensor has to be installed on the different side of body.
2. Install sensor trigger on both side.

Allowable overhang



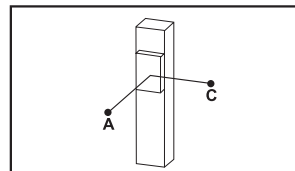
Unit: mm

Horizontal installation		A	B	C
Lead 2	10kg	900	100	135
	20kg	700	45	60
	30kg	550	25	35
Lead 5	10kg	650	75	100
	20kg	440	32	45
	30kg	270	19	25
Lead 10	5kg	600	145	185
	10kg	370	70	85
	15kg	250	42	52
Lead 20	5kg	320	120	130
	8kg	220	70	80
	10kg	175	55	60



Unit: mm

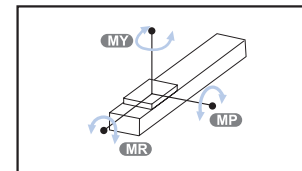
Wall installation		A	B	C
Lead 2	10kg	135	100	900
	20kg	60	45	700
	30kg	37	27	550
Lead 5	10kg	100	75	650
	20kg	45	32	420
	30kg	25	19	260
Lead 10	5kg	180	145	600
	10kg	85	68	370
	15kg	52	42	250
Lead 20	5kg	130	120	320
	8kg	75	70	220
	10kg	60	55	170



Unit: mm

Vertical installation		A	C
Lead 2	6kg	180	180
	8kg	135	135
	10kg	110	110
Lead 5	6kg	145	145
	8kg	110	110
	10kg	90	90
Lead 10	1kg	800	800
	3kg	260	260
	5kg	155	155
Lead 20	1kg	600	600
	2kg	300	300
	2.5kg	250	250

Static loading moment



Unit: N.m

MY	103
MP	103
MR	144

- The torque value in the chart indicate the center of gravity.
- Operation life is 10000km when the product is using under the specified conditions.
- Data information is not for ceiling-mount inverse use.
Contact us for the details if you want to apply ceiling-mount inverse usage.

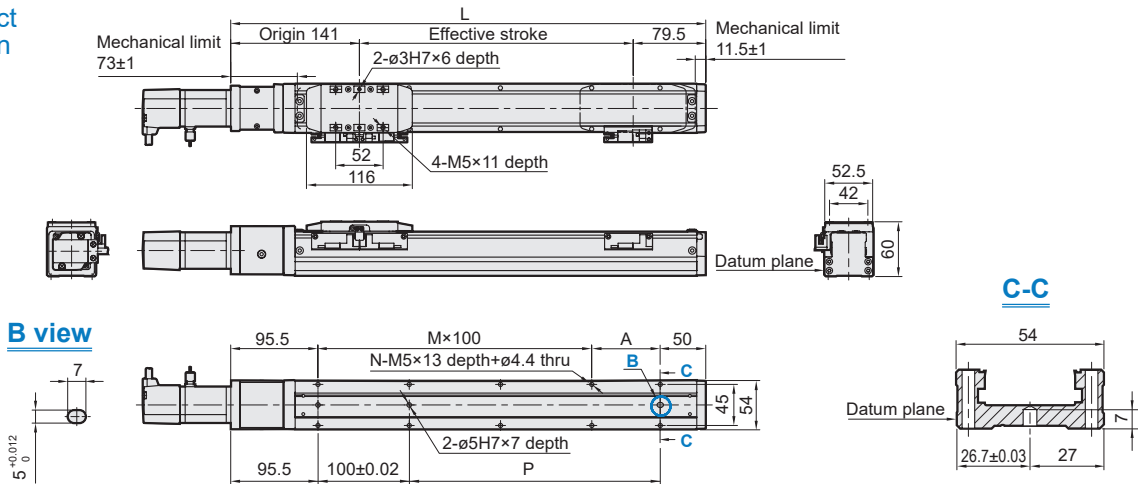
METG-5 Dimensions

SLIDER ELECTRIC CYLINDER – BUILT-IN GUIDEWAY (WITHOUT MOTOR)



BC

Motor direct connection

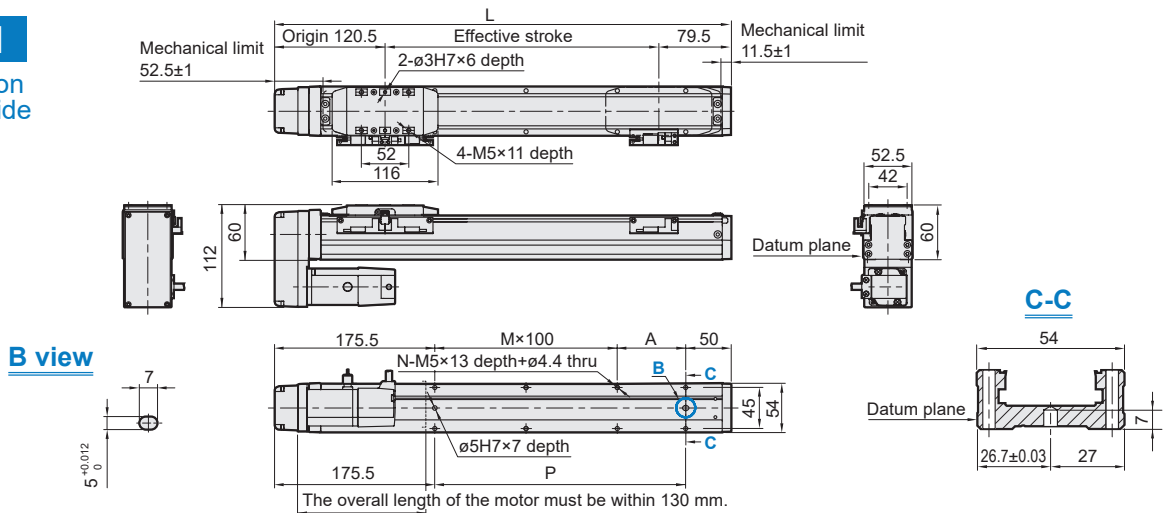


Unit: mm

Stroke	50	100	150	200	250	300	350	400	450	500	550	600	650	700	750	800
L	270.5	320.5	370.5	420.5	470.5	520.5	570.5	620.5	670.5	720.5	770.5	820.5	870.5	920.5	970.5	1020.5
A	25	75	25	75	25	75	25	75	25	75	25	75	25	75	25	75
M	1	1	2	2	3	3	4	4	5	5	6	6	7	7	8	8
N	6	6	8	8	10	10	12	12	14	14	16	16	18	18	20	20
P	25	75	125	175	225	275	325	375	425	475	525	575	625	675	725	775
KG	2.23	2.42	2.62	2.82	3.01	3.21	3.41	3.6	3.8	4	4.19	4.39	4.59	4.78	4.98	5.18

BM

Motor on lower side



Unit: mm

Stroke	50	100	150	200	250	300	350	400	450	500	550	600	650	700	750	800
L	250	300	350	400	450	500	550	600	650	700	750	800	850	900	950	1000
A	25	75	25	75	25	75	25	75	25	75	25	75	25	75	25	75
M	0	0	1	1	2	2	3	3	4	4	5	5	6	6	7	7
N	4	4	6	6	8	8	10	10	12	12	14	14	16	16	18	18
P	25	75	125	175	225	275	325	375	425	475	525	575	625	675	725	775
KG	2.4	2.59	2.79	2.99	3.18	3.38	3.58	3.77	3.97	4.17	4.36	4.56	4.76	4.95	5.15	5.35

* When motor with brake assembled on down side, or the total length over than spec limit, it may not use standard pinhole. Please contact us if you need more information and requirement.

METG-5 Dimensions

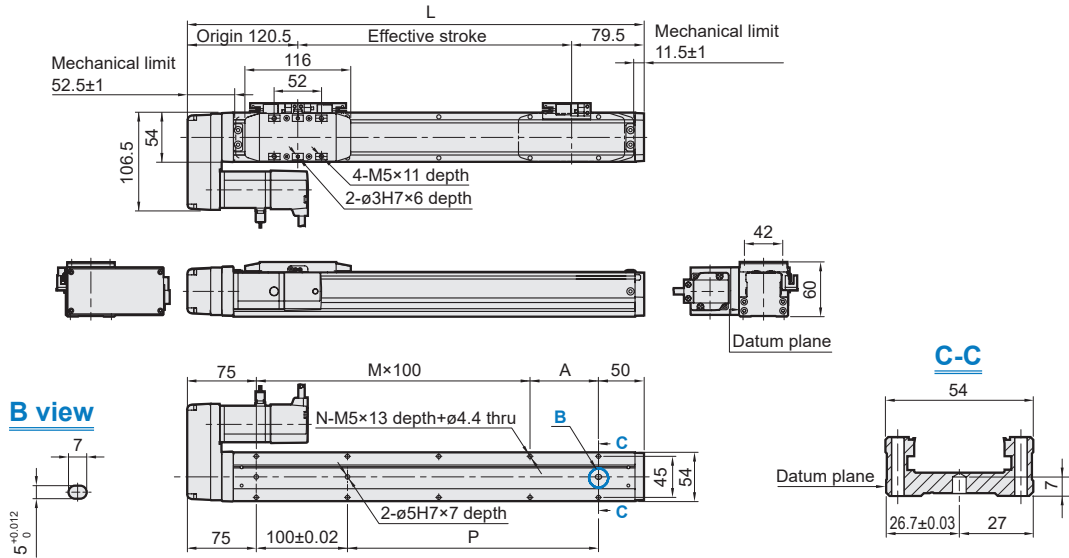


SLIDER ELECTRIC CYLINDER – BUILT-IN GUIDEWAY (WITHOUT MOTOR)

mindman

BL

Motor on left side

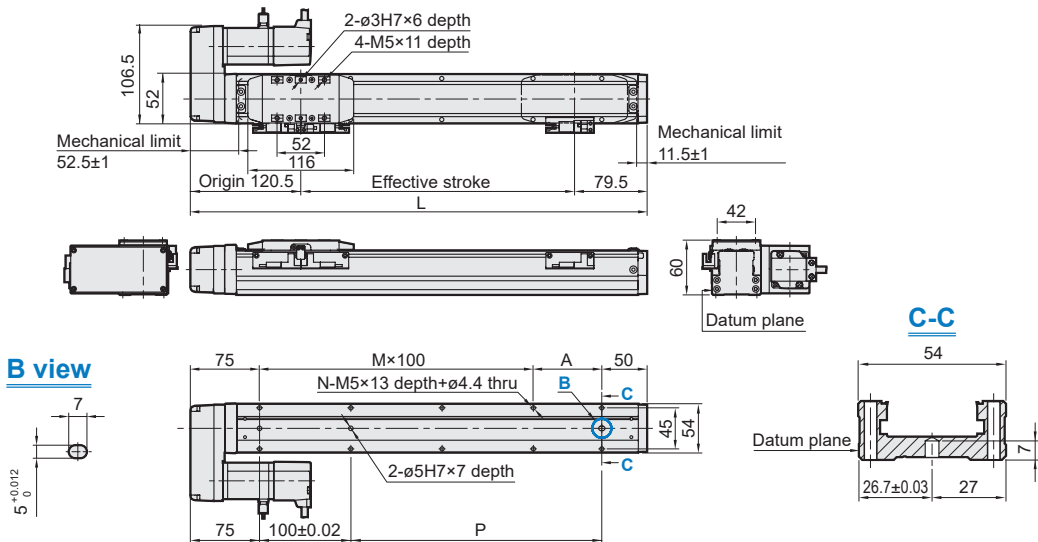


Unit: mm

Stroke	50	100	150	200	250	300	350	400	450	500	550	600	650	700	750	800
L	250	300	350	400	450	500	550	600	650	700	750	800	850	900	950	1000
A	25	75	25	75	25	75	25	75	25	75	25	75	25	75	25	75
M	1	1	2	2	3	3	4	4	5	5	6	6	7	7	8	8
N	6	6	8	8	10	10	12	12	14	14	16	16	18	18	20	20
P	25	75	125	175	225	275	325	375	425	475	525	575	625	675	725	775
KG	2.4	2.59	2.79	2.99	3.18	3.38	3.58	3.77	3.97	4.17	4.36	4.56	4.76	4.95	5.15	5.35

BR

Motor on right side



Unit: mm

Stroke	50	100	150	200	250	300	350	400	450	500	550	600	650	700	750	800
L	250	300	350	400	450	500	550	600	650	700	750	800	850	900	950	1000
A	25	75	25	75	25	75	25	75	25	75	25	75	25	75	25	75
M	1	1	2	2	3	3	4	4	5	5	6	6	7	7	8	8
N	6	6	8	8	10	10	12	12	14	14	16	16	18	18	20	20
P	25	75	125	175	225	275	325	375	425	475	525	575	625	675	725	775
KG	2.4	2.59	2.79	2.99	3.18	3.38	3.58	3.77	3.97	4.17	4.36	4.56	4.76	4.95	5.15	5.35