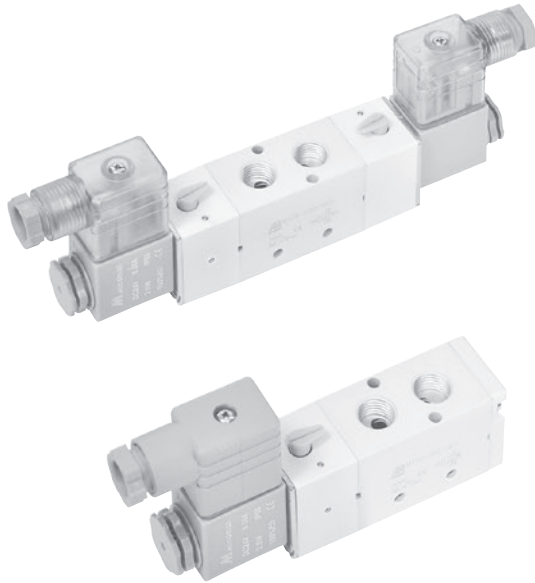


# MVSE-260 series

## SOLENOID VALVE



Mindman

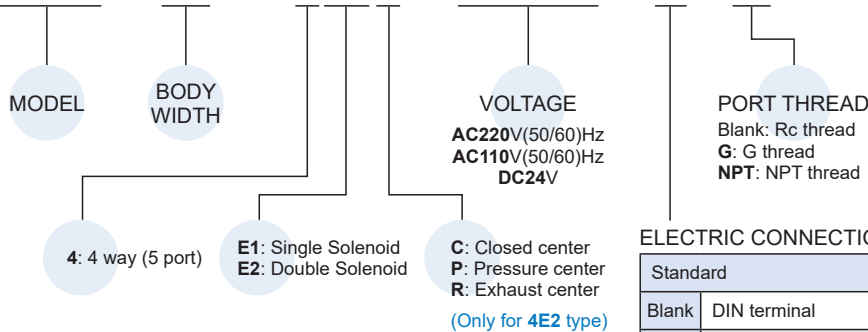


### Specification

Model	4E1	4E2	4E2 C.P.R
Bore No.	8A		
Port size	1/4		
No. of port	5		
No. of position	2	3	
Medium	Air		
Operating perssure range	0.2~1.2 MPa	0.3~1.2 MPa	
Proof pressure	1.5 MPa		
Effective orifice	18 mm <sup>2</sup>	16 mm <sup>2</sup>	
Reponse time	40 ms	35 ms	
Ambient temperature	-5~+50°C (No freezing)		
Voltage	AC110V, 220V (50/60)Hz, DC24V		
Power consumption	Standard	AC=4.8/4.4VA, 6/4.9VA, DC=2W	
	Power saving	DC=Start: 2W(*) Power saving: 0.5W	
Available voltage range	±10%		
Insulation class	F class		
Weight	255 g	350 g	405 g

### Order example of valve

**MVSE — 260 — 4E2C — AC110 — L — G**



\* Power saving covert time 100ms.

### ELECTRIC CONNECTION

Standard	
Blank	DIN terminal
L	DIN terminal with LED indicator
E	Explosion protection (Table 1)(Black coil)
Power saving (for DC24V)	
KL	DIN terminal with LED indicator

### Order example of manifold

**MVSE — 260 — 5B3 — G**

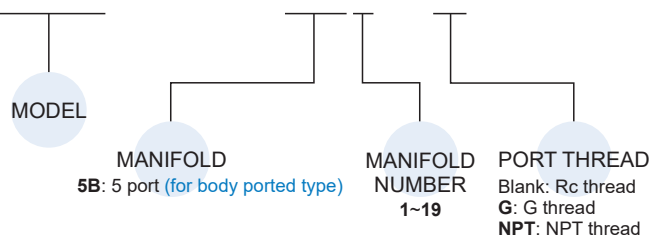


Table 1

### Property for explosion-proof type

Anti-explosion class	EEx m II T4
Voltage	AC110V, 220V.(50/60)Hz, DC24V.
Power consumption	AC=4.4VA DC=5W
Available voltage range	±10%
Insulation class	F class
Wire length	3 m

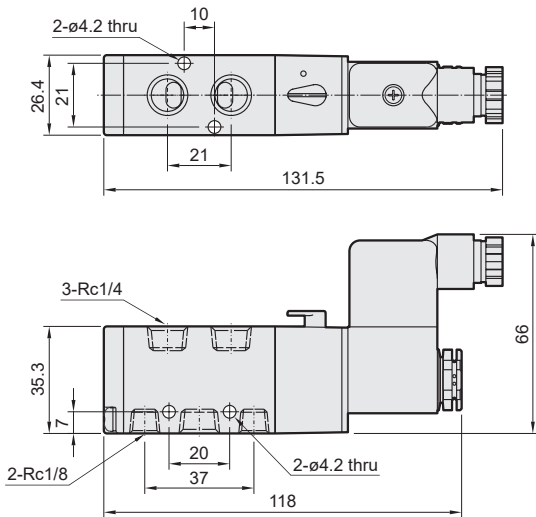
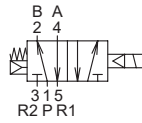
\* Starting from 11 stations, manifolds are made to order.

# MVSE-260 Dimensions

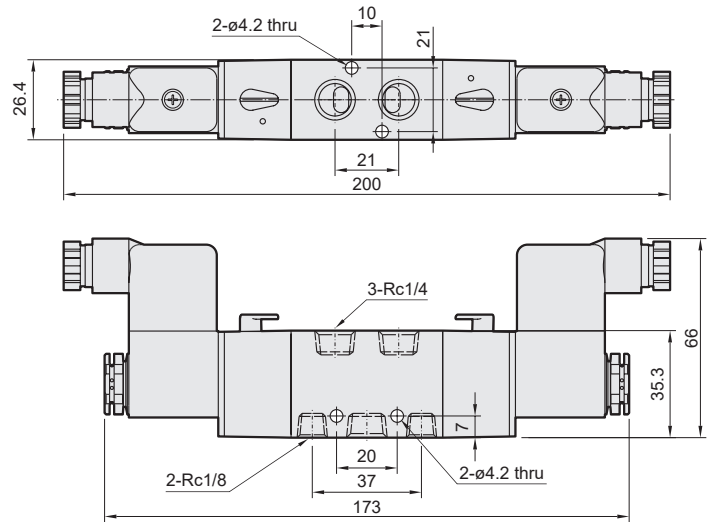
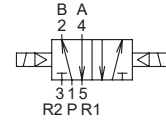
## SOLENOID VALVE



### MVSE-260-4E1



### MVSE-260-4E2

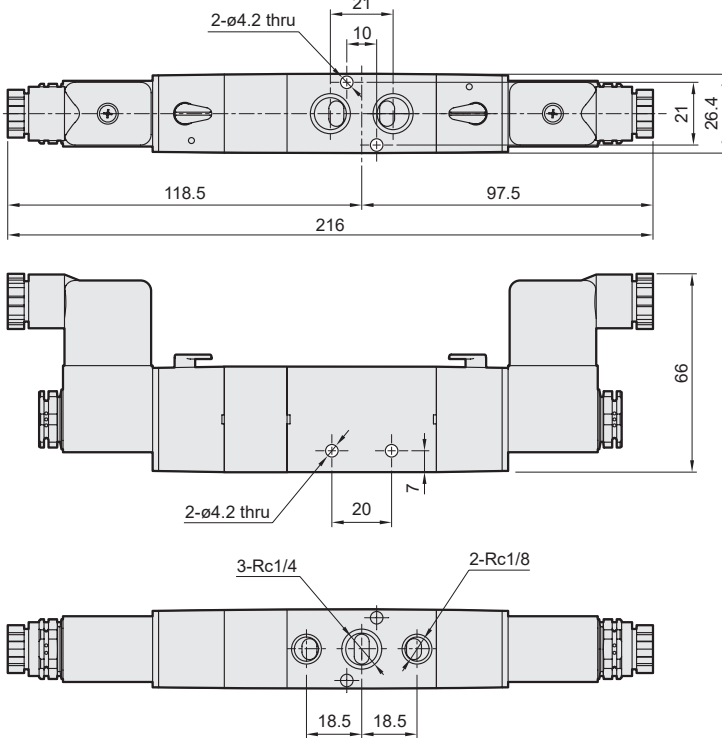
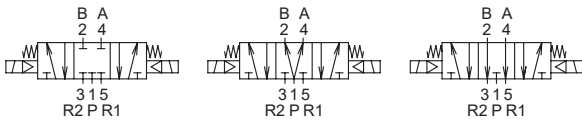


### MVSE-260-4E2C.P.R

#### MVSE-260-4E2C

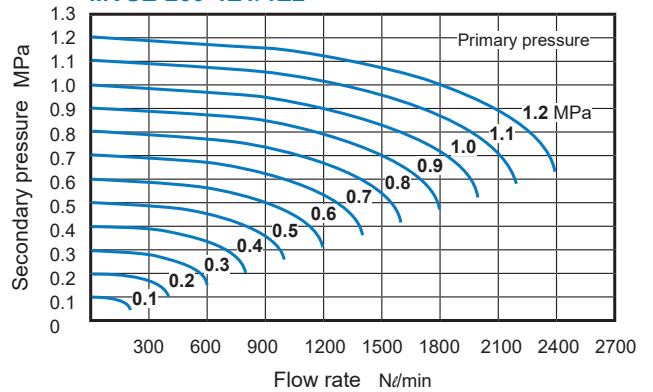
#### MVSE-260-4E2P

#### MVSE-260-4E2R



### Flow features

#### MVSE-260-4E1/4E2



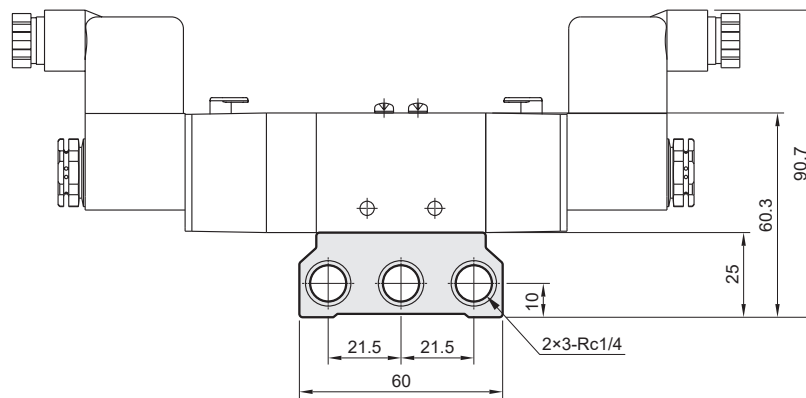
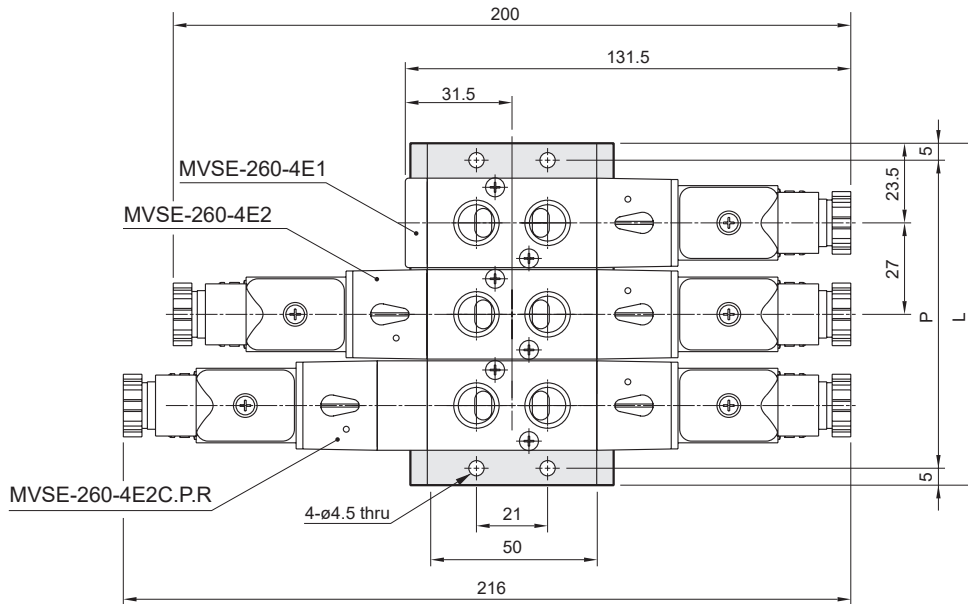
# MVSE-260 Manifold

## SOLENOID VALVE



### MVSE-260-5B\*

5 port (for body ported type)



No. of stations	P	L
1	37	47
2	64	74
3	91	101
4	118	128
5	145	155
6	172	182
7	199	209
8	226	236
9	253	263
10	280	290

P: (No. of stations-1)×27+37

L: (No. of stations-1)×27+47