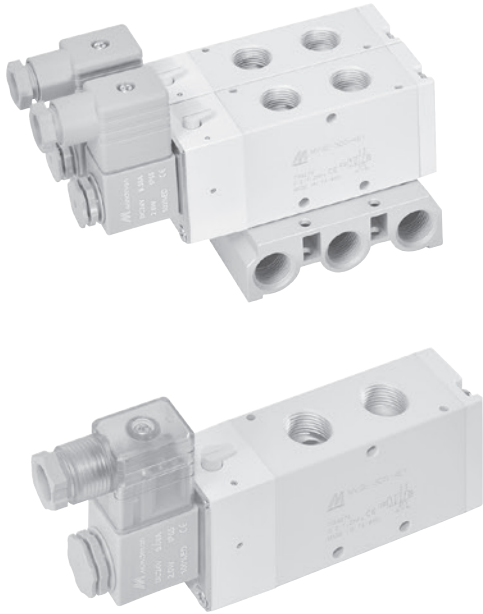


MVSE-300 series

SOLENOID VALVE



Mindman



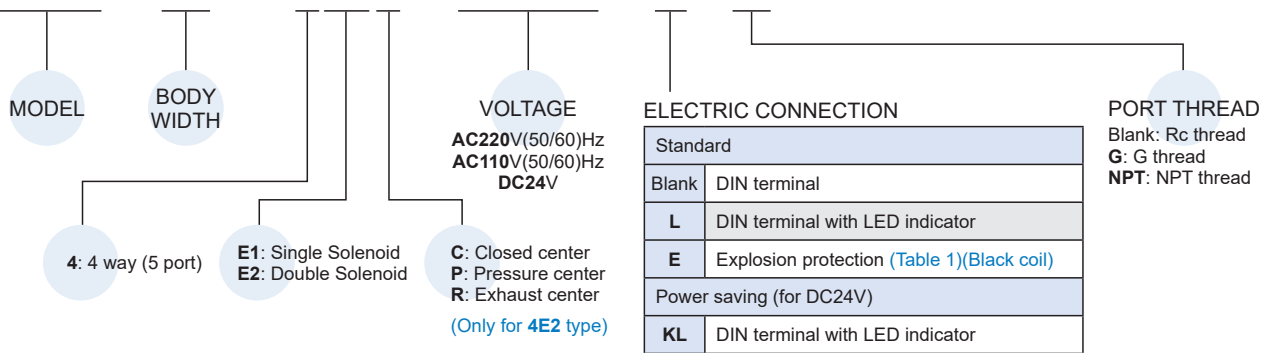
Specification

Model	4E1	4E2	4E2 C.P.R
Bore No.	10A		
Port size	3/8		
No. of port	5		
No. of position	2	3	
Medium	Air		
Operating perssure range	0.2~1.2 MPa	0.3~1.2 MPa	
Proof pressure	1.5 MPa		
Effective orifice	35 mm ²	34.5 mm ²	
Reponse time	50 ms		
Ambient temperature	-5~+50°C (No freezing)		
Voltage	AC110V, 220V (50/60)Hz, DC24V		
Power consumption	Standard	AC=4.8/4.4VA, 6/4.9VA, DC=2W	
	Power saving	DC=Start: 2W(*) Power saving: 0.5W	
Available voltage range	±10%		
Insulation class	F class		
Weight	406 g	508 g	577 g

* Power saving covert time 100ms.

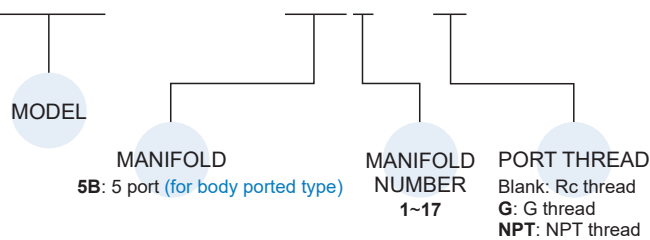
Order example of valve

MVSE – 300 – 4E2C – AC110 – L – G



Order example of manifold

MVSE – 300 – 5B3 – G



* Starting from 11 stations, manifolds are made to order.

Table 1

Property for explosion-proof type

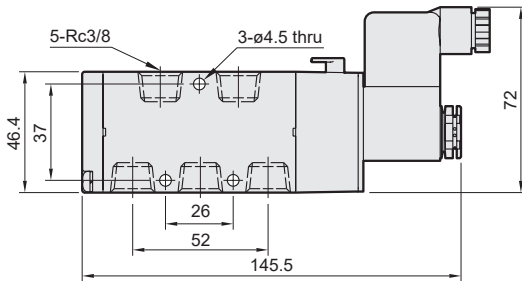
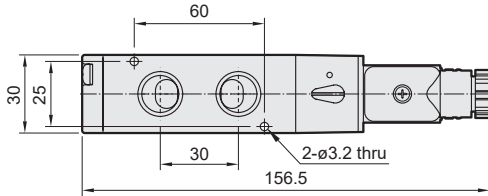
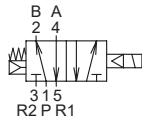
Anti-explosion class	EEx m II T4
Voltage	AC110V. 220V.(50/60)Hz. DC24V.
Power consumption	AC=4.4VA DC=5W
Available voltage range	±10%
Insulation class	F class
Wire length	3 m

MVSE-300 Dimensions

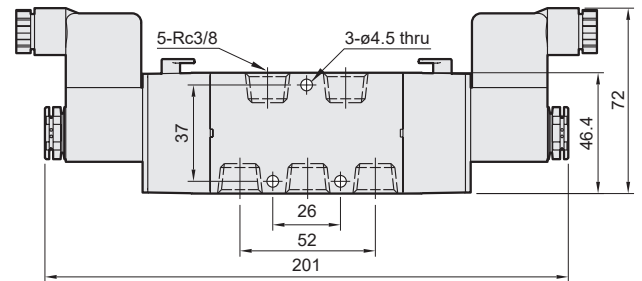
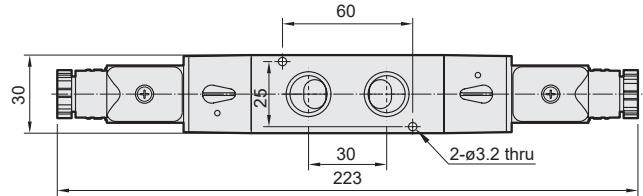
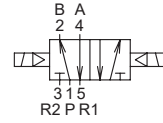
SOLENOID VALVE



MVSE-300-4E1

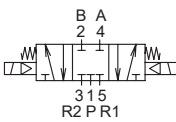


MVSE-300-4E2

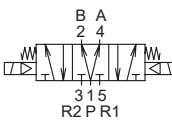


MVSE-300-4E2C.PR

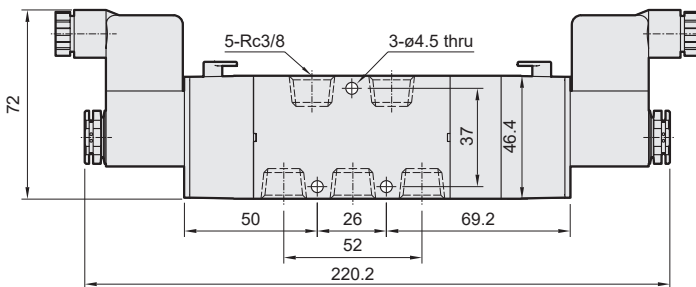
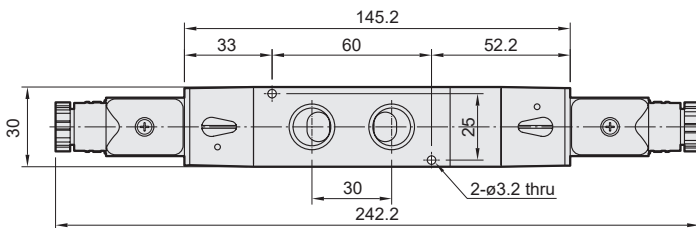
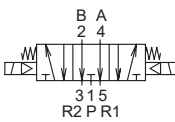
MVSE-300-4E2C



MVSE-300-4E2P

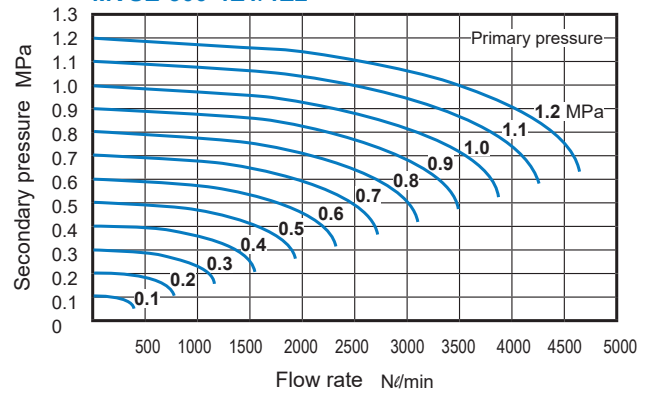


MVSE-300-4E2R



Flow features

MVSE-300-4E1/4E2



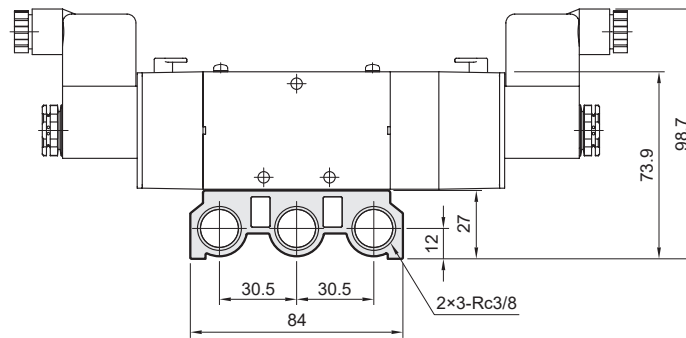
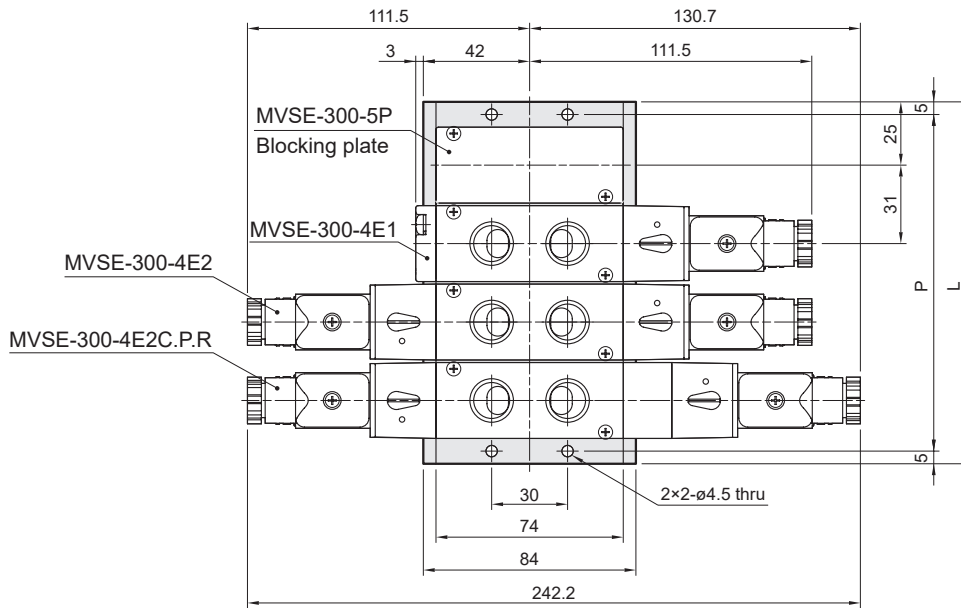
MVSE-300 Manifold

SOLENOID VALVE



MVSE-300-5B*

5 port (for body ported type)



No. of stations	P	L
1	40	50
2	71	81
3	102	112
4	133	143
5	164	174
6	195	205
7	226	236
8	257	267
9	288	298
10	319	329

P: (No. of stations-1)×31+40
 L: (No. of stations-1)×31+50