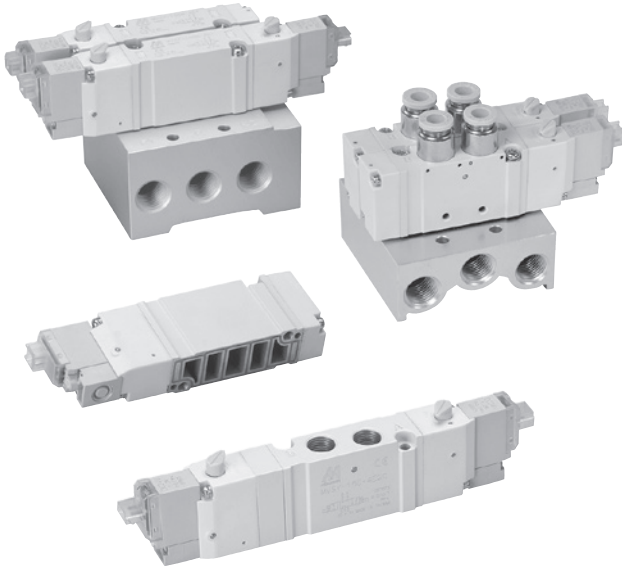


# MVSY-156 series

## SOLENOID VALVE



mindman

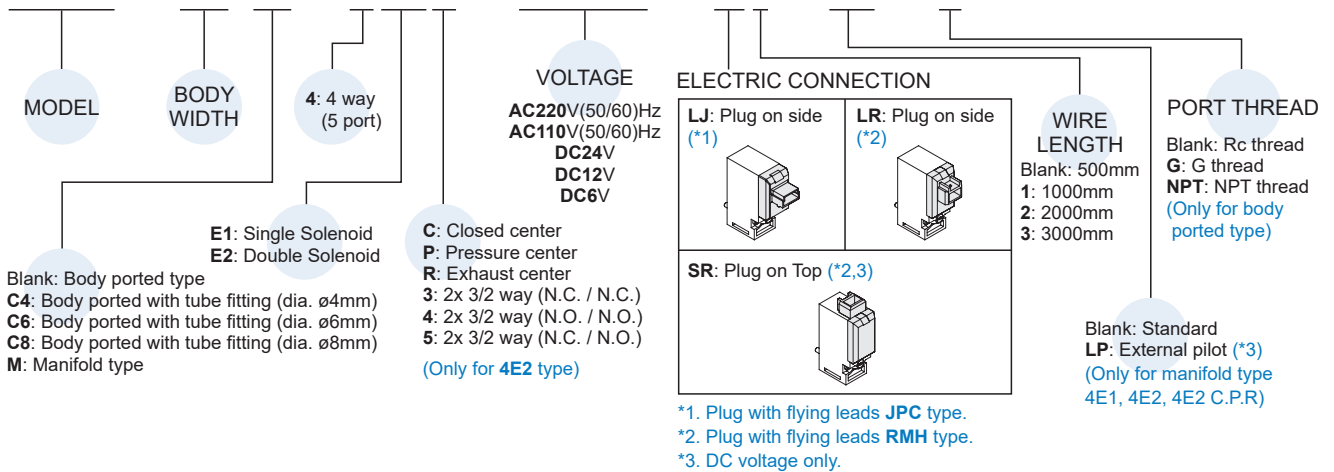


### Specification

| Model                     |               | 4E1                                   | 4E2                              | 4E2 C.P.R | 4E2 3.4.5          |
|---------------------------|---------------|---------------------------------------|----------------------------------|-----------|--------------------|
| Bore No.                  |               | 6A                                    |                                  |           |                    |
| Port size                 |               | 1/8                                   |                                  |           |                    |
| No. of port               |               | 5                                     |                                  |           |                    |
| No. of position           |               | 2                                     | 3                                | 4         |                    |
| Medium                    |               | Air                                   |                                  |           |                    |
| Operating pressure range  |               | 0.15~0.7 MPa                          | 0.2~0.7 MPa                      |           |                    |
| Operating pressure (LP)   |               | 0~0.7 MPa                             |                                  |           | -                  |
| Pilot pressure range (LP) |               | 0.2~0.7 MPa                           | 0.25~0.7 MPa                     | -         |                    |
| Proof pressure            |               | 1 MPa                                 |                                  |           |                    |
| Effective orifice         | Body ported   | 11 mm <sup>2</sup>                    | 9.5 / 14.6 / 9.5 mm <sup>2</sup> |           | 11 mm <sup>2</sup> |
|                           | Manifold      | 10 mm <sup>2</sup>                    | 7.5 / 13 / 8 mm <sup>2</sup>     |           | 10 mm <sup>2</sup> |
|                           | Manifold (LP) | 8 mm <sup>2</sup>                     | 7.5 / 8 / 7.5 mm <sup>2</sup>    |           | -                  |
| Reponse time              |               | 19 ms                                 | 20 ms                            | 25 ms     |                    |
| Ambient temperature       |               | +5~+50°C                              |                                  |           |                    |
| Max. operating frequency  |               | 5 Hz                                  |                                  |           |                    |
| Voltage                   |               | AC110V, 220V (50/60)Hz, DC24/12/6V    |                                  |           |                    |
| Power consumption         |               | AC=1.6/2.5VA, DC6=1.2W, DC12/24=0.55W |                                  |           |                    |
| Available voltage range   |               | ±10%                                  |                                  |           |                    |
| Insulation class          |               | B class                               |                                  |           |                    |
| Weight                    |               | 63 g                                  | 82 g                             | 102 g     | 82 g               |

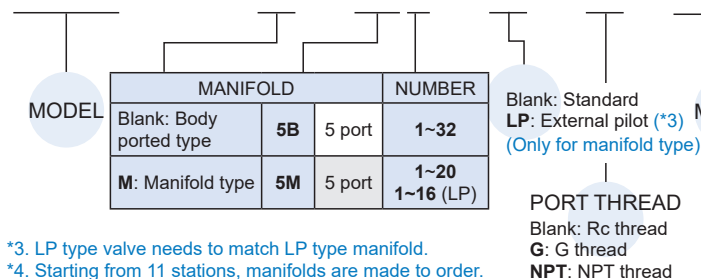
### Order example of valve

MVSY – 156M – 4E2C – AC110 – LJ1 – LP – G



### Order example of manifold

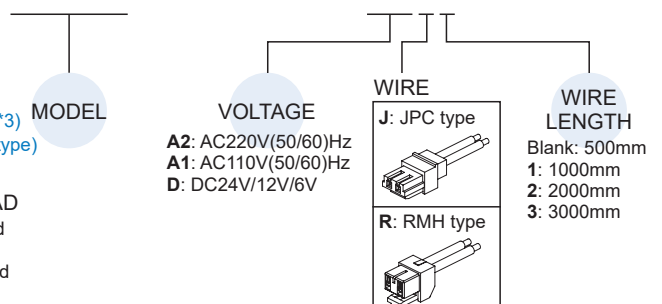
MVSY – 156M – 5B3 – LP – G



### Order example of wire

\* Use the same wire with MVDY.

MVDY – 100 – WA2J2

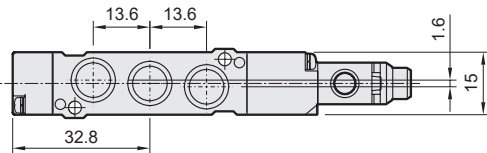
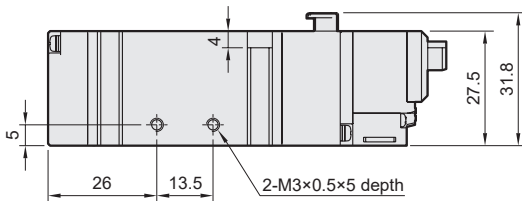
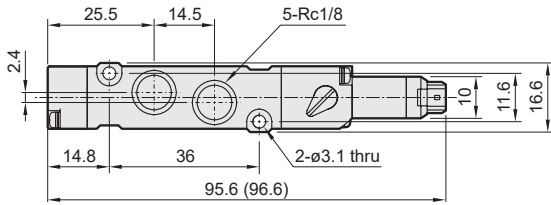
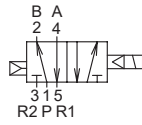


# MVSY-156 Dimensions

## SOLENOID VALVE



### MVSY-156-4E1

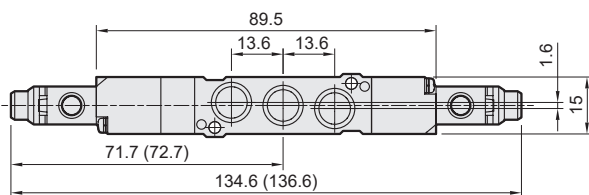
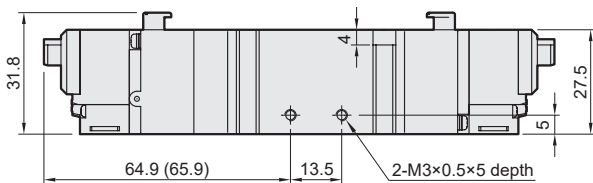
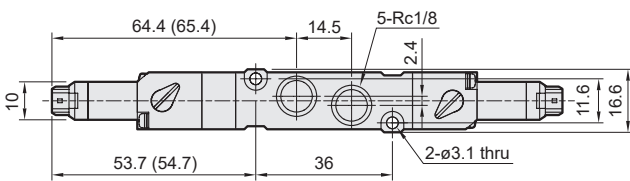
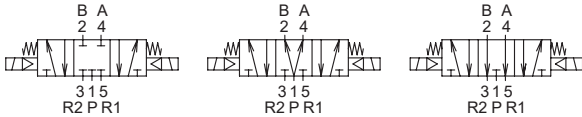


### MVSY-156-4E2C.P.R

#### MVSY-156-4E2C

#### MVSY-156-4E2P

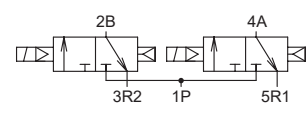
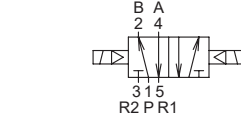
#### MVSY-156-4E2R



### MVSY-156-4E23.4.5

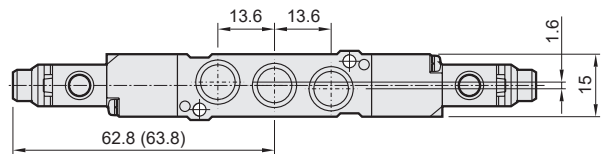
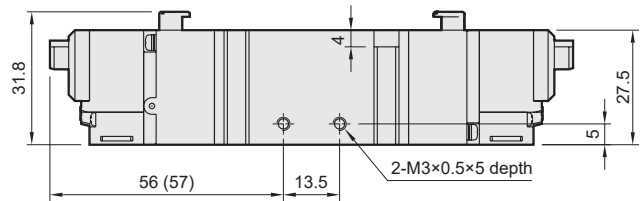
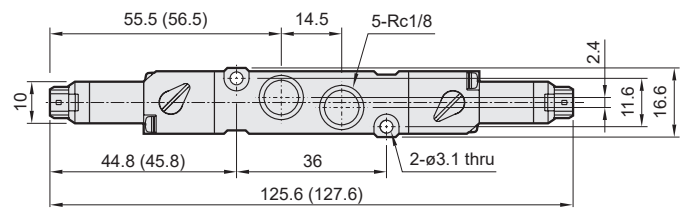
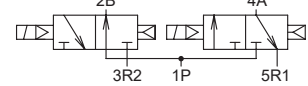
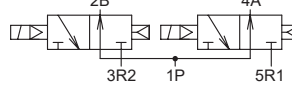
#### MVSY-156-4E2

#### MVSY-156-4E23



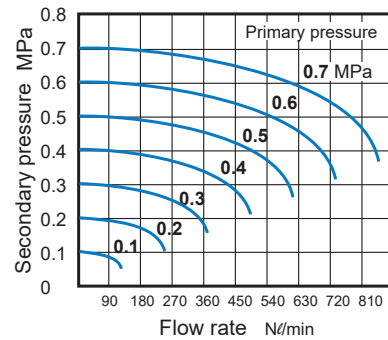
#### MVSY-156-4E24

#### MVSY-156-4E25

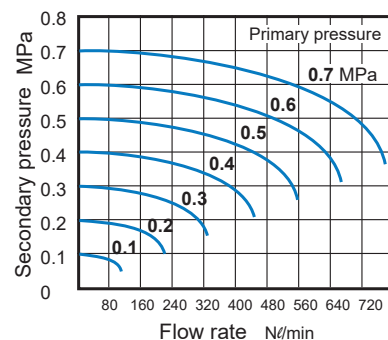


## Flow features

### MVSY-156-4E1/4E2



### MVSY-156M-4E1/4E2



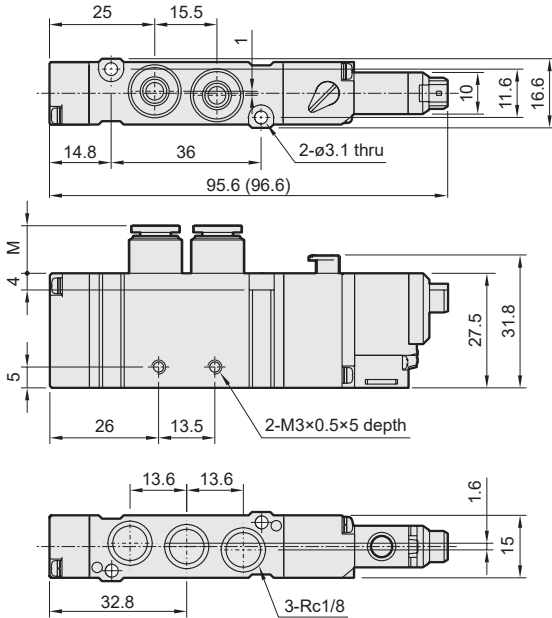
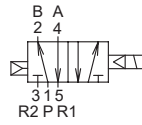
( ) : Dimension for LJ plug type.

# MVSY-156 Dimensions

## SOLENOID VALVE

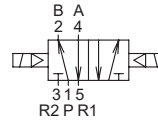


### MVSY-156C\*-4E1

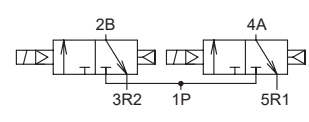


### MVSY-156C\*-4E23.4.5

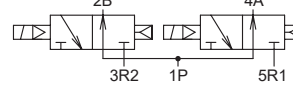
#### MVSY-156-4E2



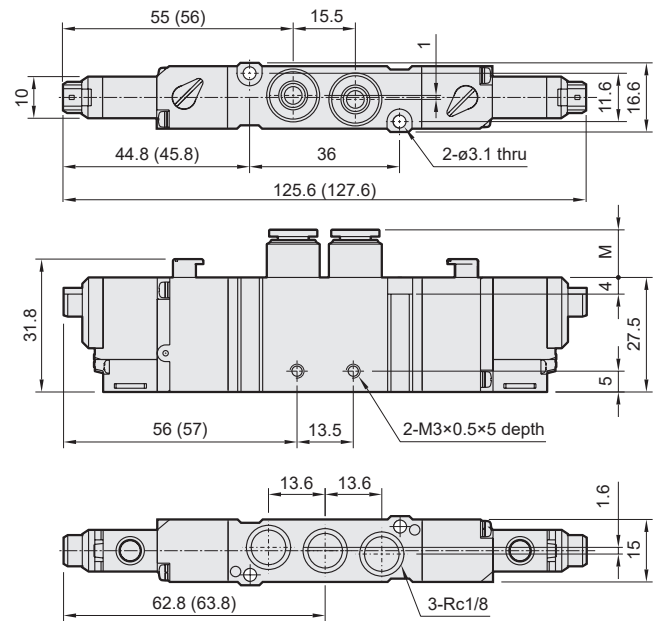
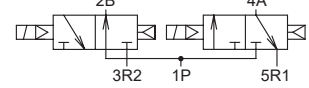
#### MVSY-156-4E23



#### MVSY-156-4E24

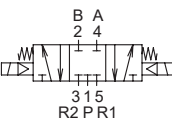


#### MVSY-156-4E25

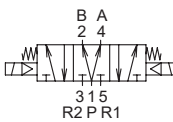


### MVSY-156C\*-4E2C.PR

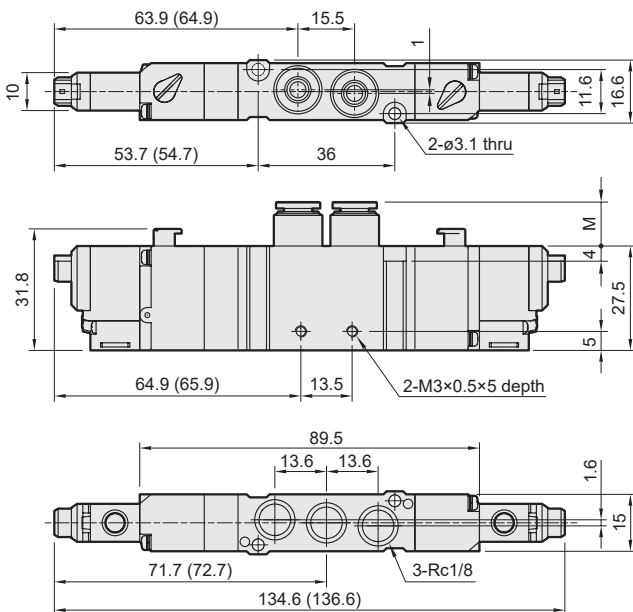
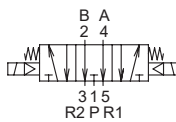
#### MVSY-156-4E2C



#### MVSY-156-4E2P



#### MVSY-156-4E2R



| Code<br>Tube fitting | M      |
|----------------------|--------|
| C4 ( $\phi$ 4)       | (13.8) |
| C6 ( $\phi$ 6)       | (14.7) |
| C8 ( $\phi$ 8)       | (19.3) |

( ): Dimension for LJ plug type.

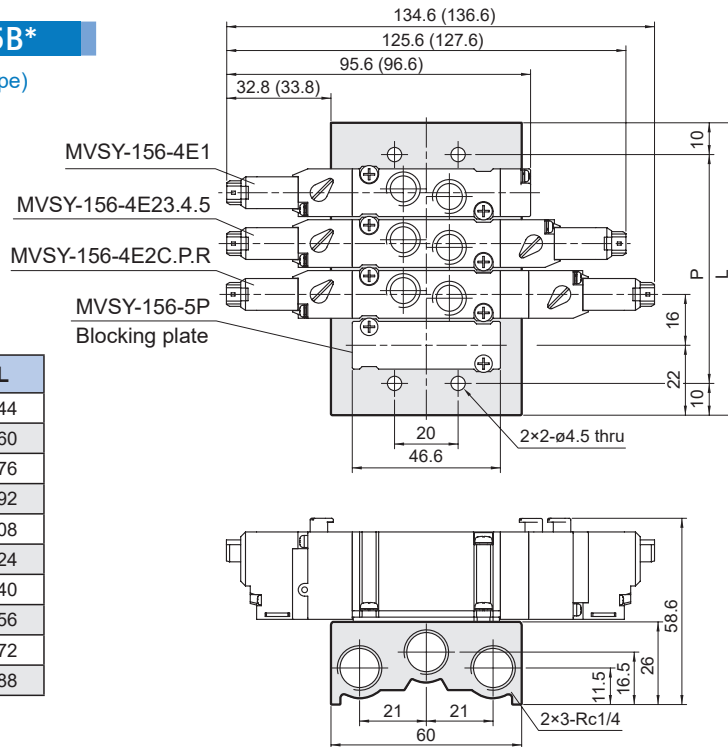
# MVSY-156 Manifold

## SOLENOID VALVE



### MVSY-156-5B\*

5 port (for body ported type)



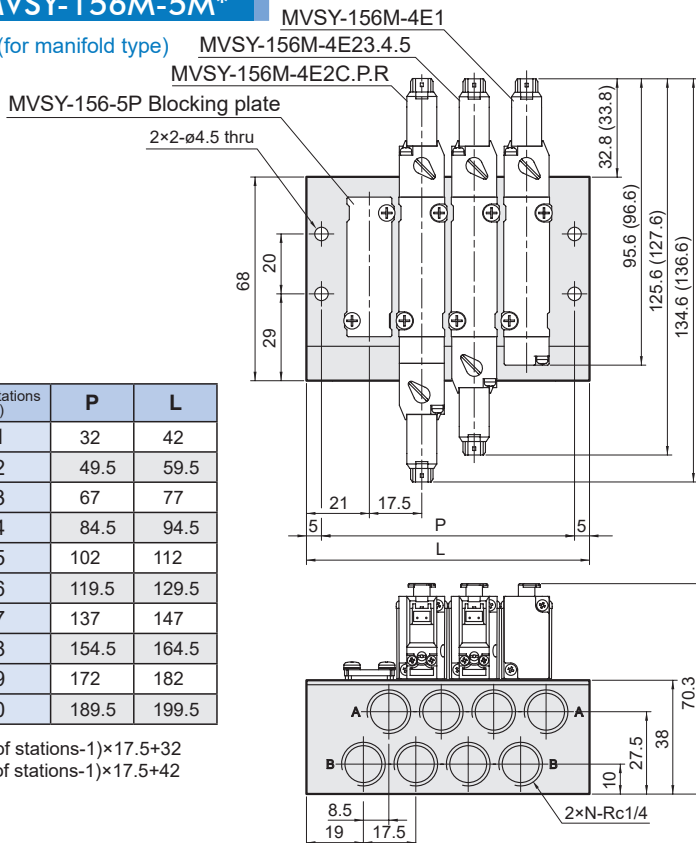
| No. of stations | P   | L   |
|-----------------|-----|-----|
| 1               | 24  | 44  |
| 2               | 40  | 60  |
| 3               | 56  | 76  |
| 4               | 72  | 92  |
| 5               | 88  | 108 |
| 6               | 104 | 124 |
| 7               | 120 | 140 |
| 8               | 136 | 156 |
| 9               | 152 | 172 |
| 10              | 168 | 188 |

P: (No. of stations-1)×16+24

L: (No. of stations-1)×16+44

### MVSY-156M-5M\*

5 port (for manifold type)



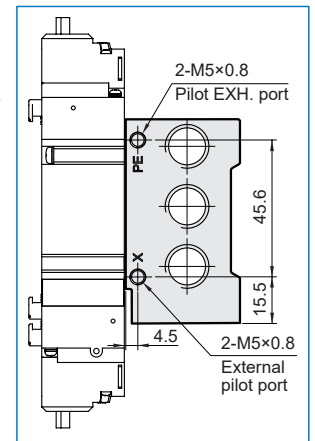
| No. of stations (N) | P     | L     |
|---------------------|-------|-------|
| 1                   | 32    | 42    |
| 2                   | 49.5  | 59.5  |
| 3                   | 67    | 77    |
| 4                   | 84.5  | 94.5  |
| 5                   | 102   | 112   |
| 6                   | 119.5 | 129.5 |
| 7                   | 137   | 147   |
| 8                   | 154.5 | 164.5 |
| 9                   | 172   | 182   |
| 10                  | 189.5 | 199.5 |

P: (No. of stations-1)×17.5+32

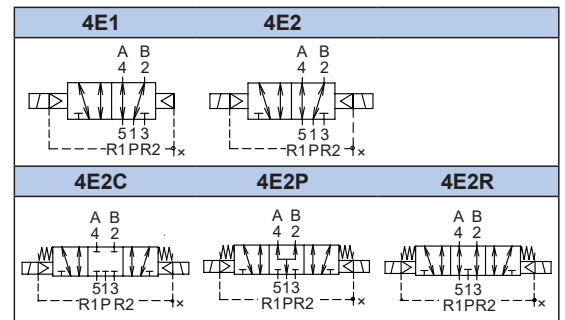
L: (No. of stations-1)×17.5+42

### LP

External pilot



Symbol ( LP : External pilot)



( ): Dimension for LJ plug type.



# MVSY-156 Mounting bracket & Spacer assembly

SOLENOID VALVE



Mindman

## Order example of bracket

MVSY – 156 – 1A

MODEL

MOUNTING BRACKET

1A  
2A

## Order example of spacer assembly

MVSY – 156M – 5BP

MODEL

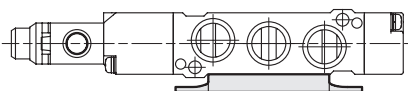
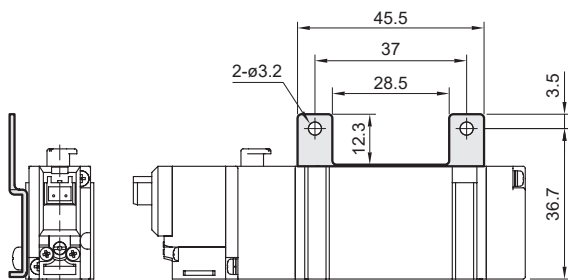
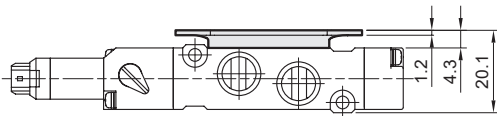
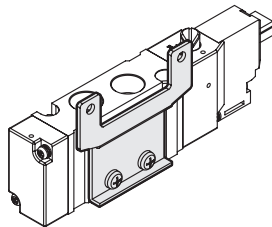
5B: 5 Port (for body ported type)  
5M: 5 Port (for Manifold type)

SPACER  
ASSEMBLY

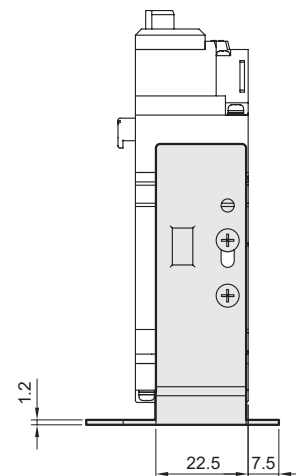
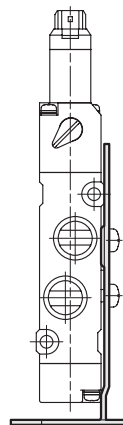
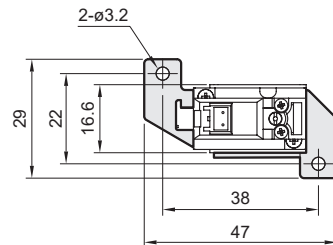
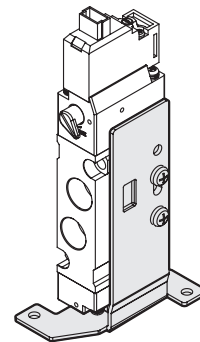
Blank: Body ported type  
M: Manifold type

P: Individual SUP spacer assembly  
R: Individual EXH spacer assembly  
PR: Individual SUP spacer assembly+  
Individual EXH spacer assembly

MVSY-156-1A



MVSY-156-2A



# MVSY-156 Spacer assembly

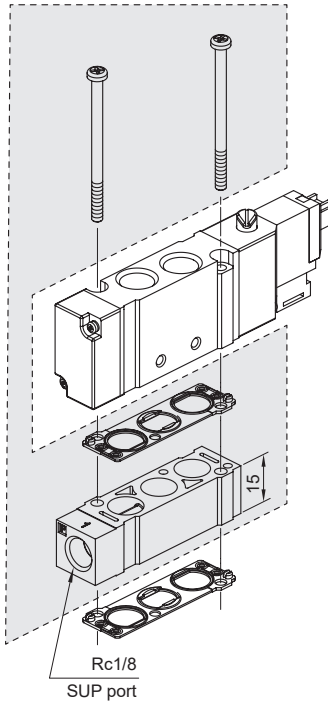
## SOLENOID VALVE



### for body ported type

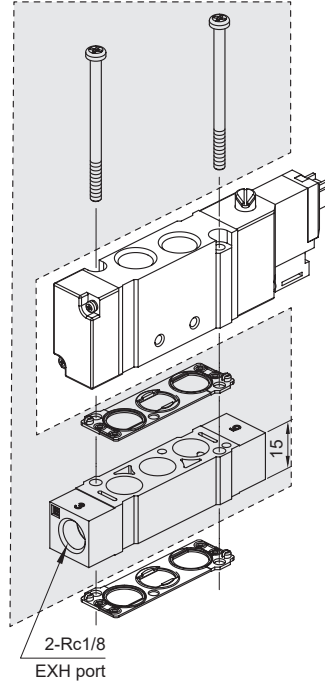
#### MVSY-156-5BP

Individual SUP spacer assembly



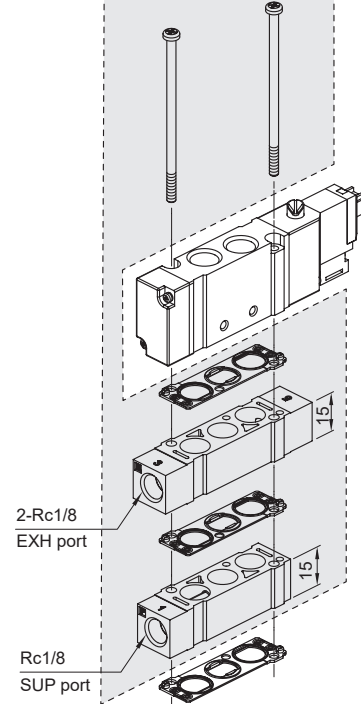
#### MVSY-156-5BR

Individual EXH spacer assembly



#### MVSY-156-5BPR

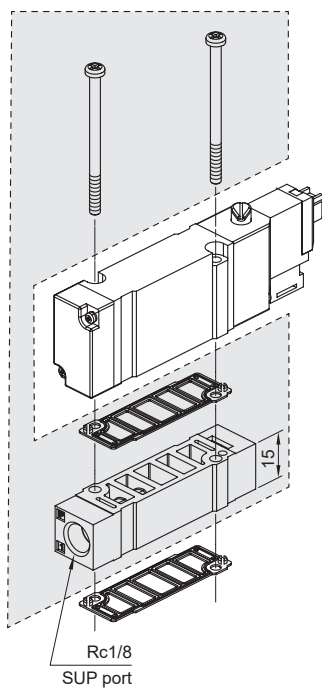
Individual SUP spacer assembly+  
Individual EXH spacer assembly



### for manifold type

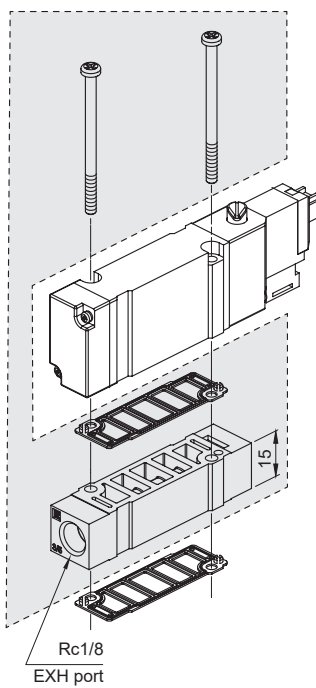
#### MVSY-156M-5MP

Individual SUP spacer assembly



#### MVSY-156M-5MR

Individual EXH spacer assembly



#### MVSY-156M-5MPR

Individual SUP spacer assembly+  
Individual EXH spacer assembly

